

700 LINE, OSD, DNR, WDR, 2.2MM LENS 170° FIELD OF VIEW

PRODUCT FEATURES

- 700 Lines of Resolution
- Digital Wide Dynamic Range
- Sense-up 256X
- OSD Control of All Functions
- Digital Noise Reduction
- 2.2mm Ultra Wide Angle Lens
- IP66 Weatherproof Rating
- 12 Volt DC Power Required

SPECIFICATIONS

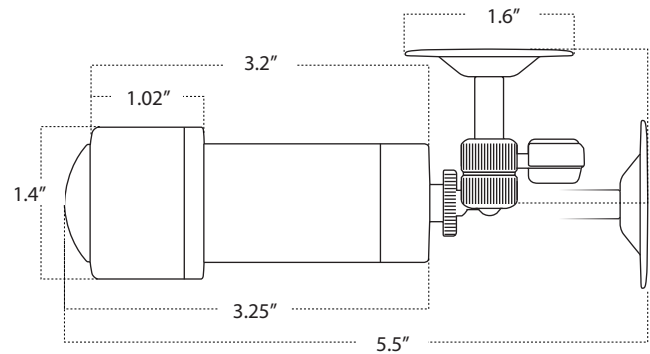
Model No.	CB700WA
Image Sensor	960H 1/3" Sony Super HAD CCD
TV System	NTSC
Effective Pixels	976 (H) x 494 (V)
Lens	Fixed 2.2mm Ultra Wide Angle
Maximum Aperture Ratio	F 1.3
Scanning System	2:1 Interlaced
Video Output	1.0V p-p, 75 OHM, Composite
Resolution	700 TV Lines
Sense-up	Yes 256X
Minimum Illumination	0.00006 Lux (Sens-up ON)
S/N Ratio (AGC OFF)	More than 50db
Gamma Characteristics	0.45
OSD	Yes (RCA Connector, Removable)
Electronic Shutter Speed	Auto, FLK, 1/60~1/100,000 Adjustable
3DNR (Digital Noise Reduction)	ON, OFF, 0~200 Adjustable
Day/Night (Electronic)	Auto, Color, B/W, EXT
White Balance	ATW, AWB, AWC-Set, Manual
BLC (Backlight Compensation)	BLC, HSBL (Adjustable)
D-WDR (Digital Wide Dynamic Range)	0~15 Adjustable
AGC (Automatic Gain Control)	OFF, LOW, MIDDLE, HIGH
Mirror	Yes - Mirror, Rotate, Vertical Flip
Power Requirement / Consumption	12 Volts DC / 120 mA
Reverse Polarity Protection	Yes
Operating Temperature	-14°F ~ 122°F
Weight	8 Oz
Housing	Aluminum (Black)
Weatherproof Rating	IP 66
Dimensions (L x W x H)	3.25" x 1.4" x 1.4"

* All specifications subject to change without notice for quality improvement

PACKAGE CONTENTS

- (1) Camera
- (1) Mounting Hardware Packet
- (1) Camera Mount
- (1) User Manual
- (1) OSD Cable

CAMERA DIMENSIONS

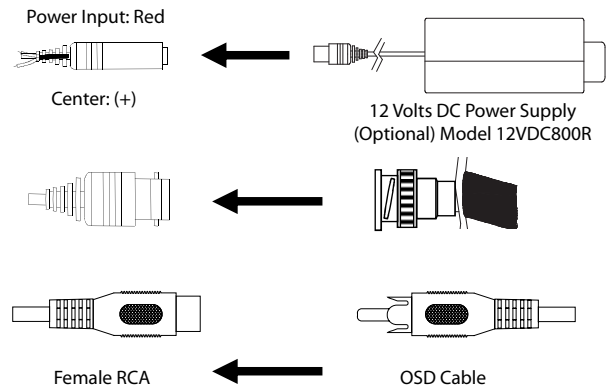


CAMERA CABLE CONNECTION

Insert power lead into power connector (confirm proper voltage & observe polarity).

Insert video lead into BNC connector (twist and lock BNC connector in place).

Insert OSD Cable into RCA for OSD Adjustment



OSD MENU TREE

- LENS
 - DC
 - VIDEO
 - MANUAL
- EXPOSURE
 - SHUTTER
 - AGC
 - Sense-up
- BACKLIGHT
 - D-WDR
 - BLC
 - HSBL
- WHITE BALANCE
 - ATW
 - AWB
 - AWC->SET
 - MANUAL
- DAY/NIGHT
 - AUTO
 - COLOR
 - B/W
 - EXT
- SMART 3DNR
 - OFF
 - ON
- F-DNR
 - OFF
 - MANUAL
 - AUTO
- FUNCTION
 - MOTION
 - PRIVACY
 - DEFECT
 - IMAGE ADJUST
 - SYNC
 - LANGUAGE
- EXIT
 - SAVE
 - RESET
 - CANCEL



OSD Cable

EXPANDED OSD MENU — ALL VALUES IN PARENTHESES () ARE DEFAULT SETTINGS

MENU	SUB MENU VALUES			
LENS	DC	BRIGHTNESS	0 ~ 100 (50)	
		IRIS SPEED	0 ~ 5 (3)	
	VIDEO			
	MANUAL	BRIGHTNESS	0 ~ 100 (60)	
EXPOSURE	SHUTTER	AUTO, 1/60, FLK, 1/250, 1/500, 1/1000, 1/2000, 1/5000, 1/10000, 1/100000, 1/100000, x2, x4, x6, x8, x10, x12, x14, x16, x24, x32, x64, x128, x256 (AUTO)		
	AGC	OFF, LOW, MIDDLE, HIGH (HIGH)		
	SENSE-UP	OFF x2, x4, x6, x8, x10, x12, x14, x16, x24, x32, x64, x128, x256 (x10)		
BACK LIGHT (OFF)	D-WDR	LOW-LEVEL	0 ~ 15 (5)	
		HIGH-LEVEL	0 ~ 15 (3)	
	BLC	VALUE	LOW, MIDDLE, HIGH (MIDDLE)	
		AREA	SINGLE, DOUBLE (SINGLE)	
		DEFAULT		
	HSBLC	GAIN	0 ~ 100 (50)	
		MODE	NIGHT ONLY, ALL DAY (NIGHT ONLY)	
		MASK LEVEL	0 ~ 100 (70)	
DEFAULT				
	M. SKIP AREA	OFF, ON (OFF)		
WHITE BAL (ATW)	ATW			
	AWB			
	AWC → SET			
	MANUAL	BLUE	0 ~ 100 (31)	
RED		0 ~ 100 (20)		
DAYNIGHT AUTO)	AUTO	DELAY	0~15 (3)	
		D → N (AGC)	48 ~ 255 (30)	
		N → D (CDS)	0 ~ 207 (14)	
	COLOR			
	B/W	BURST	ON, OFF (ON) OFF (ON)	
		IR SMART	VALUE	0 ~ 100 (50)
			AREA	POSITION, SIZE
		IR DWDR	0 ~ 15	
IR LED				
EXT	DELAY	0 ~ 15 (0)		
SMART 3DNR (OFF)	OFF			
	ON	VALUE	0 ~ 200 (80)	
		SMART IR	OFF	
			ON	SMART LEVEL 0 ~ 200 (200) SENSITIVITY 0 ~ 100 (40)
F-DNR (OFF)	OFF			
	MANUAL	LEVEL	0 ~ 31 (10)	
		COLOR GAIN	0 ~ 10 (3)	
		EDGE GAIN	0 ~ 10 (3)	
		GAMMA	USER, 0.05~ 1.00 (0.55)	
AUTO	DEFECT LEVEL	0 ~ 5 (3)		

* Default values may change when Sub Menu settings are changed.

EXPANDED OSD MENU — ALL VALUES IN PARENTHESES () ARE DEFAULT SETTINGS

MENU	SUB MENU VALUES					
FUNCTION	MOTION (OFF)	AREA	1~4			
		AREA DISPLAY	ON,OFF			
		VALUE	0~100 (95)			
		MOTION VIEW	ON,OFF			
	PRIVACY (OFF)	AREA	1~8 (4)			
		AREA DISPLAY	ON,OFF			
		COLOR	0~15 (8)			
		TRANSFER	0~3 (3)			
	D-EFFECT	D-ZOOM (OFF)	RANGE	X1.0 ~ x32 (x2.0)		
			PAN	-100 ~ 100 (0)		
			TILT	-100 ~ 100 (0)		
		SMART D-ZOOM (OFF)	RANGE	X1.0 ~ x5 (x2.0)		
			POSITION			
			SENSITIVITY	0 ~ 100 (80)		
			TIME	0 ~ 15 (3)		
		DIS (OFF)	ON, OFF			
		FREEZE (OFF)	ON, OFF			
		MIRROR (OFF)	OFF, MIRROR, V-FLIP, ROTATE			
	NEG.IMAGE (OFF)	ON, OFF				
	IMAGE ADJ.	SHARPNESS	0~31 (20)			
		MONITOR (CRT)	CRT	PED LEVEL	0~63 (23)	
				COLOR GAIN	0~255 (128)	
			LCD	GAMMA	0.5~1.0	
				PED LEVEL	0~63	
		LENS SHADING	0.5~1.0			
			H-CENTER 0 ~ 255			
			V-CENTER 0 ~ 255			
		LENS SHADING	ON,OFF			
		DEFECT	SENS-UP	x4, x,8, x16, x32, x64, x128 (x4)		
			DIFF	0 ~ 3 (1)		
			THRESHOLD	0 ~ 4 (2)		
		START				
	COM ADJ.	CAM TITLE	ON, OFF			
		PROTOCOL	PELCO-D,PELCO-P,SPD-S.DPNGYANG,NICP			
		RS-485	CAM ID	1 ~ 255		
			ID DISPLAY	ON, OFF		
			BAUD RATE	2400,4800,9600,19200,38400,57600 (38400)		
	SYNC	INT				
	LANGUAGE	ENGLISH, KOREAN, JAPANESE, CHINESE1, CHINESE2, RUSSIA, FRANCAIS, ESPANOL, ITALIANO, PORTU, DEUTSCH, POLISH, TURKISH, HEBREW, ARAB				
	EXIT	SAVE, RESET, CANCEL				

* Default values may change when Sub Menu settings are changed.