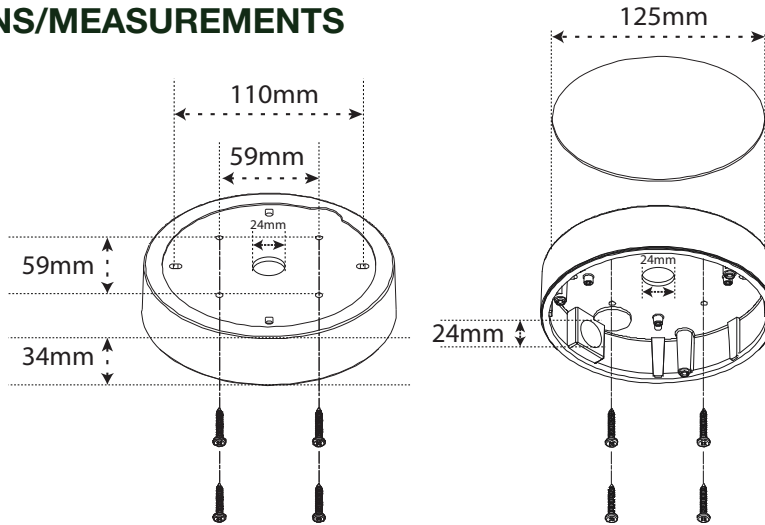


### PACKAGE CONTENTS

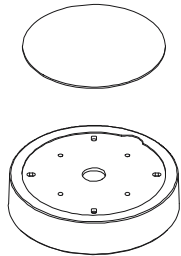
- (1) Back Box
- (1) Mounting Hardware Packet
- (1) Installation Sheet

### BACK BOX DIMENSIONS/MEASUREMENTS

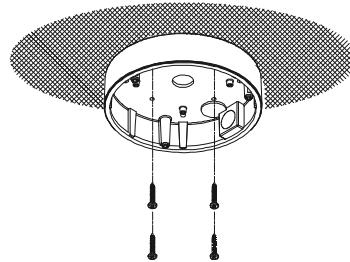


### BACK BOX ASSEMBLY/INSTALLATION

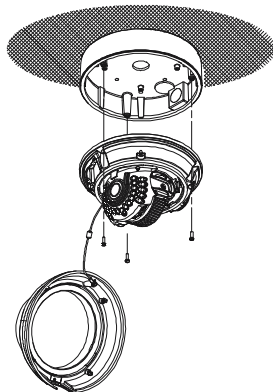
1. Put the rubber pad on the base.



2. Install the base to the ceiling, wall or junction box.



3. Install the camera onto the base.



4. After adjusting the direction and functions, assemble the dome cover.

