

4-in-1 HD ANALOG

4-in-1, 1080p Outdoor, 450' IR PTZ Camera D-WDR, True D/N, UTC, 33X Optical Zoom

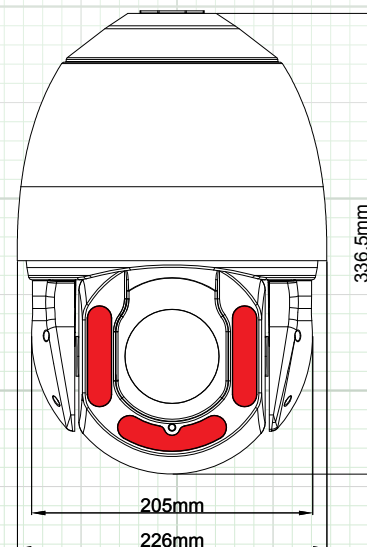


FEATURES:

- ◆ Multi-Format (TVI, CVI, AHD & 960H)
- ◆ 33X (4.6 ~ 152mm) Optical Zoom Level
- ◆ UTC & RS-485 Controllable
- ◆ Pelco P & D Protocol
- ◆ Included 24VAC Power Supply
- ◆ Included Wall Mount
- ◆ 360° Endless Panning
- ◆ True D/N Mechanical IR Cut Filter
- ◆ 12 High Power IR LED's / 450' IR Range
- ◆ 4 Programmable Privacy Masks
- ◆ 128 Preset Positions
- ◆ 4 Tours - Up to 32 Presets Each
- ◆ -40°F Operating Temperature
- ◆ Built in Heater & Fan
- ◆ 1/2.8" 2MP CMOS Sensor
- ◆ IP66 Weatherproof



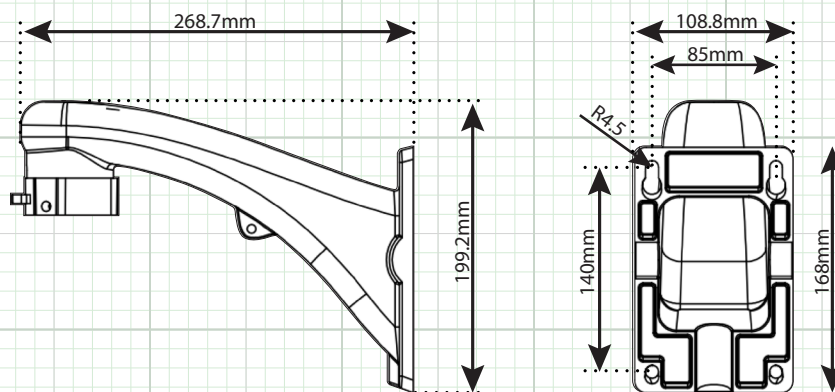
HDPTZ33X



INCLUDED ACCESSORIES:

Quick Setup Guide, User Manual, 24VAC Power Adapter, Wall Mount Bracket, Mounting Hardware Kit & Tools.

WALL MOUNT DIMENSIONS



OPTIONAL MOUNTING ACCESSORIES:

- N2PTZPOLEMT - PTZ Pole Mount *
 - N2PTZCRNMT - PTZ Outside Corner Mount *
 - N2PTZPENDMT - Pendant Mount
 - N2PTZJB - Junction Box
- * Pole & Corner Mount are compatible with
HDPTZ33X wall mount or **N2PTZJB**

Note: Specification subject to change without notice

4-in-1 HD ANALOG

4-in-1, 1080p Outdoor, 450' IR PTZ Camera
D-WDR, True D/N, UTC, 33X Optical Zoom

	SPECIFICATION	HDPTZ33X
Camera	Image Sensor	1/2.8" Progressive Scan CMOS
	Image Resolution	2 Megapixel, 1920(H) x 1080(V)
	Frame Rate	50Hz: 25fps (PAL) / 60Hz: 30fps (NTSC)
	Min. Illumination	Color: 0.001Lux @ (F1.2, AGC ON) B/W: 0Lux @ (IR LED ON)
	White Balance	Auto / ATW / AWC-Set / Indoor / Outdoor / Manual / AWB
	AGC	Auto (1 ~ 15 Adjustable)
	S/N Ratio	More than 52dB
	2D & 3D DNR	Auto / Off / Low / Middle / High
	Backlight Compensation	OFF / ON, (HLC Off / On also Available)
	D-WDR (Wide Dynamic Range)	Digital WDR
	Shutter Time	AUTO, 1/25, 1/50, FLK, 1/200, 1/400, 1/1000, 1/2000, 1/5000, 1/10000, 1/50000, 1/100000, 1/500000, X2, X4, X6, X8, X10, X15, X20, X25, X30
	True Day & Night	Yes - Mechanical IR Cut Filter
	Digital Zoom	Yes: 1 ~ 20X
Privacy Mask	Yes: 4-Zone	
Input / Output	Video Output	Single BNC Output for TVI, CVI, AHD & 960H / Dipswitch for Switching Formats
	RS-485 Interface	Yes - Protocols: Pelco P & D (Auto-sensing) only
	UTC Function	Yes - Up the Coax Control Available
IR	IR LED / Distance / nm	12 IR LEDs / Up to 450' / 850nm
	IR Intensity	Proportional to Zoom Level
Lens	Focus Mode	Auto / Semi-Automatic / Manual
	Focal Length	4.6 ~ 152mm / 33X Optical Zoom
	Zoom Speed	Approx.6.2s (Optical Wide-Tele)
	Angle of View	Horizontal: 55.2° ~ 3.2°
	Min. Working Distance	11.8"
Pan & Tilt	Aperture	F1.6~F4.8 (Auto IRIS)
	Pan Range	0° ~ 360° Endless
	Pan Speed	0.1° ~ 200° / Second
	Tilt Range	0° ~ +90°
	Tilt Speed	0.1 ~ 180° / Second
	Proportional Zoom	Auto Adjusts Speed for Zoom Level
	Number of Preset	128
	Tour	4 Tour, Speed & Park Time of Presets Can be Set
	Pattern	355° Programmable, 4 scan
	Power-off Memory	Tour, Preset, Pattern & Scan Can be Set
	Park Action	Tour, Preset, Pattern & Scan Can be Set
Scheduled Task	Presets / Scan /Patterns / Patrol	
General	Menu Language	ENG / CHN 1/ CHN 2/ GER / FRA / ITA / SPA / POL / RUS / POR / NED / TUR
	Power	AC 24V / 2.5A (With the Heater On)
	Operating Temperature	-40 °C ~ 60 °C (-40°F ~ 140 °F)
	Protection Level	IP66
	Certification	CE / FCC
	Dimensions	226 x.336.5mm (8.9" x.13.25")
	Housing / Color	Metal / White
	Included	Wall Mount & 24VAC Power Supply
Weight (approx.)	5Kg (11.02 lbs)	