



Quick Guide

this device. Otherwise, the service life of the image sensor may be shortened.

- If this device is installed in places where thunder and lightning frequently occur, ground the device nearby to discharge high energy such as thunder strikes in order to prevent device damage.

CAUTION

- Avoid heavy loads, intensive shakes, and soaking to prevent damages during transportation and storage. The warranty does not cover any device damage that is caused during secondary packaging and transportation after the original packaging is taken apart.
- Protect this device from fall-down and intensive strikes, keep the device away from magnetic field interference, and do not install the device in places with shaking surfaces or under shocks.
- Clean the device with a soft dry cloth. For stubborn dirt, dip the cloth into slight neutral cleanser, gently wipe the dirt with the cloth, and then dry the device.
- Do not jam the ventilation opening. Follow the installation instructions provided in this document when installing the device.
- Keep the device away from heat sources such as radiators, electric heaters, or other heat equipment.
- Keep the device away from moist, dusty, extremely hot or cold places, or places with strong electric radiation.
- If the device is installed outdoors, take insect- and moisture-proof measures to avoid circuit board corrosion that can affect monitoring.
- Remove the power plug if the device is idle for a long time.
- Before unpacking, check whether the fragile sticker is damaged. If the fragile sticker is damaged, contact customer services or sales personnel. The manufacturer shall not be held responsible for any artificial damage of the fragile sticker.

Precautions

Fully understand this document before using this device, and strictly observe rules in this document when using this device. If you install this device in public places, provide the tip "You have entered the area of electronic surveillance" in an eye-catching place. Failure to correctly use electrical products may cause fire and severe injuries.

WARNING	It alerts you to moderate dangers which, if not avoided, may cause minor or moderate injuries.
CAUTION	It alerts you to risks. Neglect of these risks may cause device damage, data loss, device performance deterioration, or unpredictable results.
NOTE	It provides additional information.

WARNING

- Strictly observe installation requirements when installing the device. The manufacturer shall not be held responsible for device damage caused by users' non-conformance to these requirements.
- Strictly conform to local electrical safety standards and use power adapters that are marked with the LPS standard when installing and using this device. Otherwise, this device may be damaged.
- Use accessories delivered with this device. The voltage must meet input voltage requirements for this device.
- If this device is installed in places with unsteady voltage, ground this device to discharge high energy such as electrical surges in order to prevent the power supply from burning out.
- When this device is in use, ensure that no water or any liquid flows into the device. If water or liquid unexpectedly flows into the device, immediately power off the device and disconnect all cables (such as power cables and network cables) from this device.
- Do not focus strong light (such as lighted bulbs or sunlight) on

Special Announcement

- All complete products sold by the manufacturer are delivered along with nameplates, quick setup guide and accessories after strict inspection. The manufacturer shall not be held responsible for counterfeit products.
- The manufacturer will update this manual according to product function enhancement or changes and regularly update the software and hardware described in this manual. Update information will be added to new versions of this manual without prior notice.
- This manual may contain misprints, technology information that is not accurate enough, or product function and operation description that is slightly inconsistent with the actual product, the final interpretation of company is as a standard.
- This manual is only for reference and does not ensure that the information is totally consistent with the actual product. For consistency, see the actual product.

NOTE

For more information, please refer to website.

1 Open Package Examination

Open the package, check the appearance of product for no obvious damage, and confirm the item list for table 1-1 is consistent.

Table 1-1 Packing list

Component	Quantity	Remark
High Speed Dome Camera	1	
Quick Setup Guide	1	
Instruction	1	
Power adapter	1	
Stainless hexagon screw	1	
Self-tapping screw	1	
Wall mounting bracket	1	Default

2 Device Structure

2.1 Device Ports

NOTE

Different device may have different multi-head cable, please refer to the actual product.

Figure 2-1 Multi-head cable

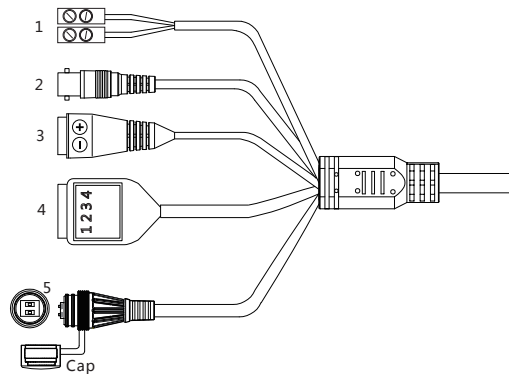


Table 2-1 Multi-head cable description

ID	Core	Description	Remark
1	-	Power port	24 Volt AC Power Input
2	-	BNC Video	Sends an analog video signal. You can connect the camera to a TV monitor through this port to view the analog video.
3	Red	RS 485+	Connects an external Pan Tilt Zoom (PTZ).
	Yellow	RS 485-	

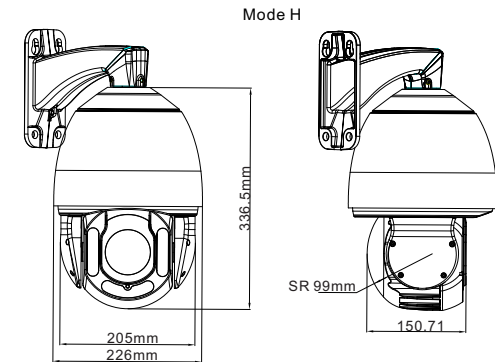
4	Yellow	ALM1	Alarm IN
	Yellow & black	ALM2	
	Purple	ALM3	
	Gray	ALM4	Alarm OUT
	Brown	GND	
	Orange & black	ALM1	
5	-	Orange	BM switch
			1 OFF 2 OFF AHD; 1 ON 2 OFF TVI: 1 OFF 2 ON CVI: 1ON 2ON CVBS

2.2 Camera Dimensions

NOTE

Different device may have different dimensions, please refer to the actual product.

Figure 2-2 Dimensions (Unit: mm)

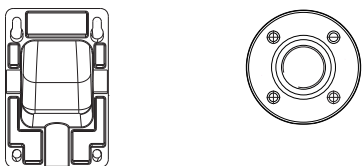


3 Device Installation

Installation Steps:

Step 1 Please make the mark based on bracket dimensions for drilling the hole. Drill four $\varnothing 8$ holes over 60 mm depth, and drive the swell plastic buttons into the holes.

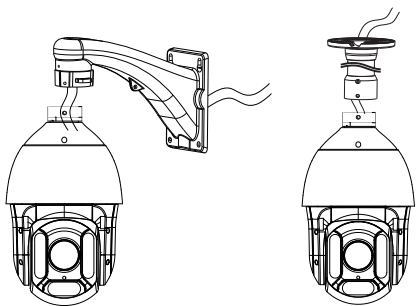
Figure 3-1 Bracket dimensions(unit:mm)



Step 2 Thread all cables through the cable hole on the side of the bracket, as shown in the figure 3-2.

Figure 3-2 Aligning the screw holes

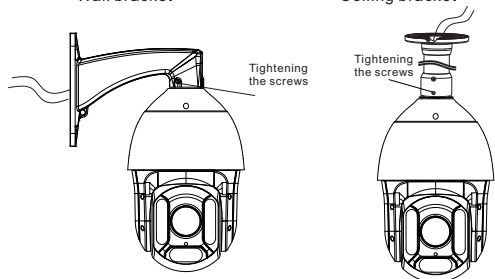
Wall bracket Ceiling bracket



Step 3 Attach the high speed dome to the bracket, the tighten the three screws, as shown in figure 3-3.

Figure 3-3 Fixing the bracket and dome

Wall bracket Ceiling bracket



Step 4 Mount the high speed dome to the wall or ceiling and tighten the four screws on the bracket completely.

4 Camera Setting

4.1 PTZ settings

Step 1 After the high-speed camera is installed, connect the device to a digital video recorder (DVR) or analog screen


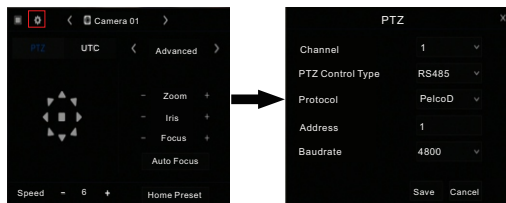
Step 2. The live video is showing. At the screen, click the left mouse button and the icon  appears, click PTZ icon, enter the PTZ and UTC settings interface, click the setting icon to enter the PTZ settings as shown in Figure 4-1.

Figure 4-1 Baud rate setting



Step 3. Select the PTZ control protocol as RS485, the protocol to select PelcoD, and the baud rate to choose 4800.

Step 4. Click "Save" to save the PTZ settings.

NOTE

If the RS485 interface is on the DVR panel, the high-speed camera can be controlled by the RS485 protocol, otherwise it can only be directly controlled by the PTZ protocol.

4.2 PTZ keyboard

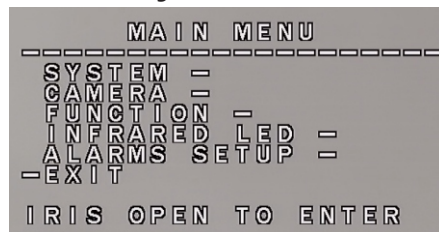
The PTZ keyboard can adjust the lens direction of the high-speed dome camera in multiple directions.

The right side menu allows you to select advanced setting, preset, scan, and tour.

Advanced settings: You can zoom, iris, focus, and auto focus on the high speed dome camera.

Preset position: Set the preset position, a total of 250 preset positions can be set. Two consecutive clicks the 9 or 95 preset positions can enter the main menu, as shown in Figure 4-2.

Figure 4-2 Main Menu



Scan: You can edit the set scan route.

Tour: You can set the tour according to the preset settings.

4.3 UTC

The UTC keyboard can adjust the main menu up and down, and confirm the save settings, as shown in Figure 4-3.

Left button to confirm the modification.

Right button to enter the next level menu and set the parameters.

The up and down button to move up and down to select a menu, and increase or decrease the value in the setting state.

Middle button to confirm and exit.

Figure4-3 UTC menu



4.4 Main Menu

System: user can view dome information, ID setting information, clock settings, set auto run, and default settings as shown in figure 4-4.

Camera settings: user can set the focus zoom, lens initial, video format, default settings, etc., as shown in figure 4-5.

Function settings: user can set preset, scan, tour, and pattern.

The infrared LED setting is shown in Figure 4-6.

The alarms setup: user can set the alarm parameter, as shown in Figure 4-7

Figure4-4 SYSTEM

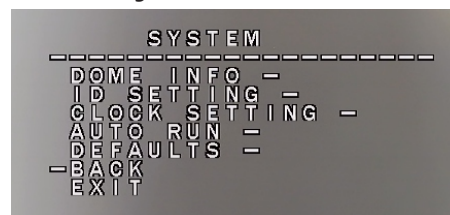


Figure4-4 Camera setting

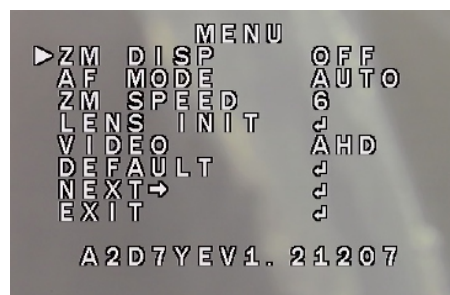


Figure4-5 FUNCTION

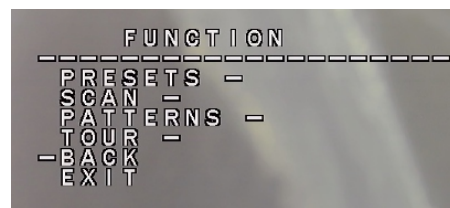


Figure4-6 INFRARED LED

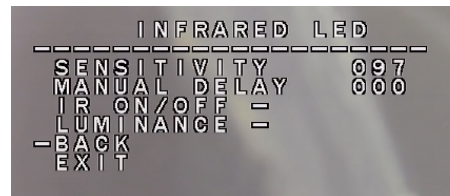
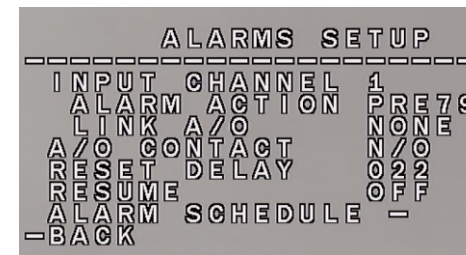


Figure4-7 ALARMS SETUP



NOTE

Different device may have different showing pages, please refer to the actual product.

- "BACK" : Return to the previous menu.
- "EXIT" : Exit the main menu.
- "ON" : Open the setting.
- "OFF" : Turn off the setting.