

## LCD/LED Wall Mounts for Flat Panel Monitors and Televisions



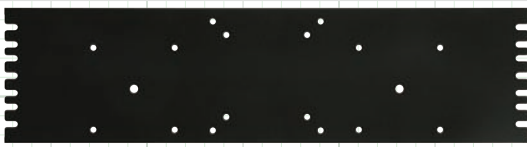
### LED10RACK2 – 19" Rack Mount For (2) LED10 Monitors

#### FEATURES:

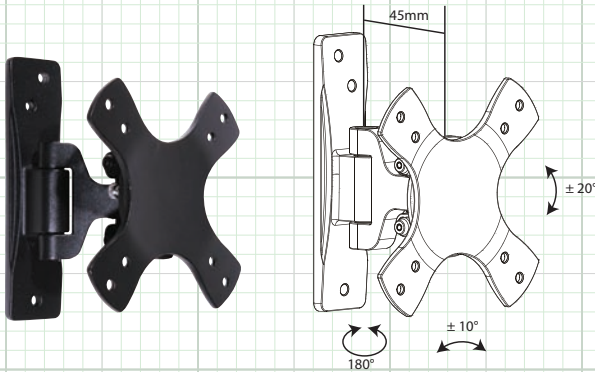
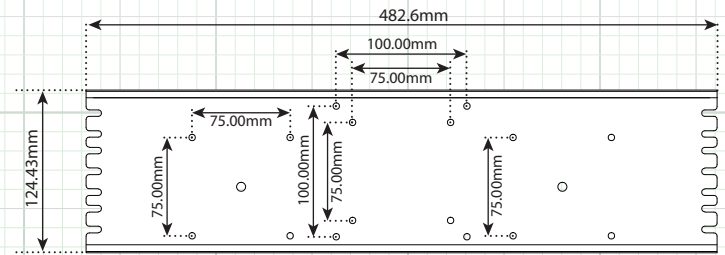
- ◆ Vesa 75 x 75 - For Dual Mounting LED10
- ◆ Vesa 100 x 100 - For Single 17" - 19" Monitors

#### INCLUDED ACCESSORIES:

1. VESA Mounting Screws



LED10RACK2



MONWM2

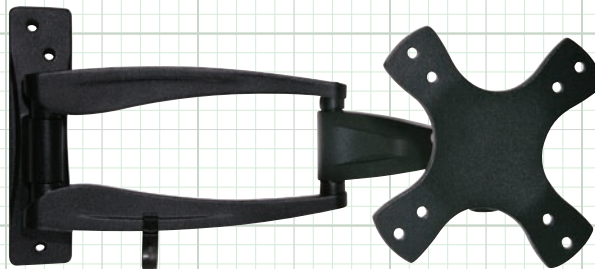
### MONWM2 – Fully Adjustable Wall Mount

#### FEATURES:

- ◆ VESA 75 x 75mm & 100 x 100mm
- ◆ Extends From 2.5" - 4"
- ◆ 180° Rotation, 40° Tilt, 20° Pivot
- ◆ Fits Most 13" - 27" Monitors
- ◆ 33 Pound Maximum Load Capacity
- ◆ 3-Axis Adjustment

#### INCLUDED ACCESSORIES:

1. Mounting Hardware
1. VESA Mounting Screws
1. Adjustment Wrench

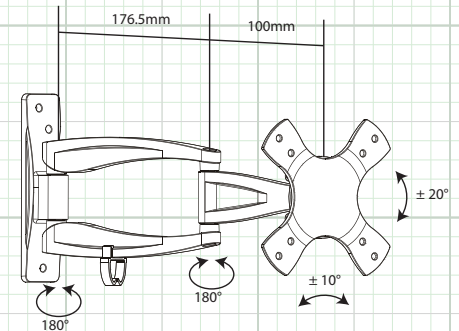


MONWM3

### MONWM3 – Dual Arm Fully Adjustable Wall Mount

#### FEATURES:

- ◆ VESA 75 x 75mm & 100 x 100mm
- ◆ Extends From 2.5" - 13"
- ◆ 180° Rotation, 40° Tilt, 20° Pivot
- ◆ Fits Most 13" - 27" LED/LCD's
- ◆ 33 Pound Maximum Load Capacity
- ◆ 3-Axis Adjustment
- ◆ Cable Management



#### INCLUDED ACCESSORIES:

1. Mounting Hardware
1. VESA Mounting Screws
1. Adjustment Wrench