

FEATURES

- Ceiling Mount for N2IPPTZ30X & HDPTZ33X
- Heavy Duty Aluminum Construction

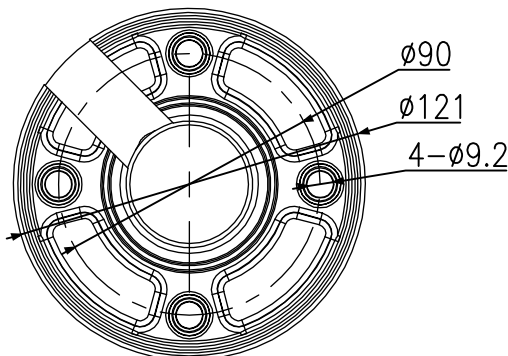
SUPPORTED MODELS

N2IPPTZ30X
HDPTZ33X

SPECIFICATIONS

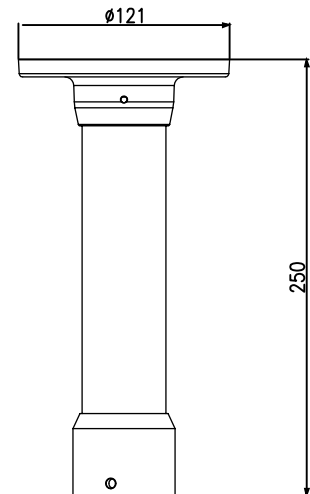
General	
Material	Heavy Duty Aluminum
Color	White
Product Dimensions	Φ121×250mm / Φ4.8" x 9.8"
Product Weight	620g / 1.4lb
Max Bearing Weight	24.25lb

HOLE MARKINGS



N2PTZPENDMT

DIMENSIONS



* All specifications subject to change without notice for quality improvement