

**Part Number: NJK6ACCHD**  
 Base                      Color



**CC = Color Code / Available in:**

White, Blue, Black, Green, Ivory, Orange, Red and Yellow.\*

**Application:**

For Ethernet Cat 6A UTP solutions. Compatible with Northern Faceplates, Surface Mount Boxes and Modular Patch Panels. Recommended for use in Commercial, MDU and Residential network applications.



**Construction Materials:**

Housing	High Impact ABS Plastic, UL 94 v-0 Rated
PCB	FR4, 1.6mm Thickness
IDC	Phosphor Bronze Alloy Plated W/100 Micro-Inch of Tin Spring Wire Phosphor Bronze Alloy Plated W/50 Micro-Inch Of Gold Over 70 ~ 100 Micro-Inch of Nickel

**Termination:**

Northern One Punch tool NJKCRIMPHD or  
 110 Termination tool 180 degree orientation

**Standards Compliance:**

ANSI/TIA-568 C.2 Cat 6A Component Rated
ISO/IEC 11801 Class Ea Category 6A Performance Standards
ANSI/TIA 1096-A (formerly FCC part 68)
UL 1863 Safety Listed
UL 94V-0 Flammability standard
RoHS 2011/65/EU
IEEE 802.3bt PoE+ up to 60 watts

**Mechanical Specifications:**

Conductor Gauge, Solid	22 AWG   24 AWG   26 AWG
Conductor Gauge, Stranded	22 AWG   24 AWG
Wiring	T568A   T568B

**Dimensions:**

Depth	30 mm   1.18 in
Height	16.9 mm   0.665 in
Width	14.6 mm   0.575 in

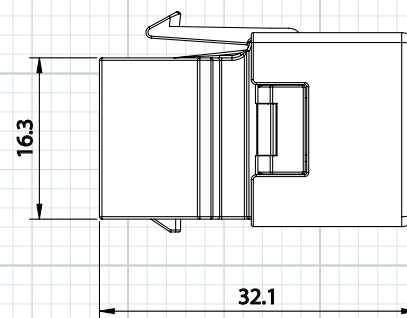
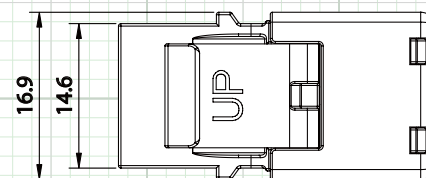
**Part # Color Legend:**

**CC**

White	<b>WH</b>
Blue	<b>BL</b>
Black	<b>BK</b>
Ivory	<b>IV</b>
Green	<b>GN</b>
Orange	<b>OR</b>
Red	<b>RD</b>
Yellow	<b>YL</b>

\* Other colors available subject to minimum orders

**Mechanical Drawings:**



**Country of Origin:**

Made in Taiwan

Note: Specification subject to change without notice

## Northern Category 6A Products: Jacks, Patch Panels, Patch Cords and Cable

Our Northern Family of Products are System Tested and meet ANSI/TIA C.2 CAT 6A Component, Permanent link and Channel Requirements.  
Use these components when building your 6A solution:

Cable: N6AR**CC**1BX, N6AP**CC**1BX  
 Jacks: NJK6AHD**CC**  
 Modular Patch Panels: NPPMOD12PM, NPPMOD24P, NPPMOD48P  
 Patch Cords: NPC6**ALLCC**

## Other Northern Components Needed To Complete A System Solution:

Faceplates: NFPP**CC**, NFPP**CC**ID  
 Surface Mount Boxes: NSMB**PCC**  
 Racks: NRR45U2P, NRR45U4P,  
 Fixed Wall Racks: NWMRR241918, NWMRR361918, WMRR481918  
 Swing-Out Wall Racks: NRRSWM1924, NRRSWM1936, NRRSWM1948  
 Hinged Wall Mount Bracket: NHWB1U6BK, NHWB2U6BK, NHWB3U6BK, NHWB4U6BK  
 Horizontal Cable Managers: NHCMS1U, NHCMS2U, NHCMS1U, NHCMS2U  
 Vertical Cable Managers: NVTM**XXXX** SEE CATALOG  
 Ladder Rack System: NLR1210 SEE CATALOG FOR OPTIONS

### Part # Color Legend: **CC** = Color

White	<b>WH</b>
Blue	<b>BL</b>
Black	<b>BK</b>
Ivory	<b>IV</b>
Light Almond	<b>LA</b>
Orange	<b>OR</b>
Red	<b>RD</b>
Yellow	<b>YL</b>

### Patch Cord Length Legend: **LL** = Available Length

Patch Cords are available in 1, 2, 3, 5, 7,10, 15, 20, 25, 35, 50, 75, 100 foot lengths

### **P** = Port Count

Faceplate and Surface Mount Boxes available in 1, 2, 3, 4 ,6 port

\* Other colors available subject to minimum orders