

Part Number: NJK6CCHD
 Base Color

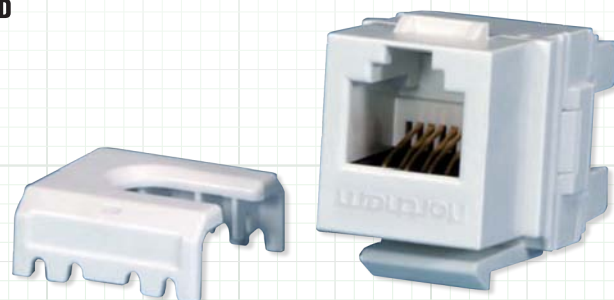


CC = Color Code / Available in:

White, Blue, Black, Green, Ivory, Orange, Red and Yellow.*

Application:

For Ethernet Cat 6 UTP solutions. Compatible with Northern Faceplates, Surface Mount Boxes and Modular Patch Panels. Recommended for use in Commercial, MDU and Residential network applications.



Construction Materials:

Housing	High Impact ABS Plastic, UL 94 v-0 Rated
PCB	FR4, 1.6mm Thickness
IDC	Phosphor Bronze Alloy Plated W/100 Micro-Inch of Tin Spring Wire Phosphor Bronze Alloy Plated W/50 Micro-Inch Of Gold Over 70 ~ 100 Micro-Inch of Nickel

Termination:

Northern One Punch tool NJKCRIMPHD or
 110 Termination tool 180 degree orientation

Standards Compliance:

ANSI/TIA-568 C.2 Cat 6 Component Rated
ISO/IEC 11801 Class E Category 6
ANSI/TIA 1096-A (formerly FCC part 68)
UL 1863 Safety Listed
UL 94V-0 Flammability standard
RoHS 2011/65/EU
IEEE 802.3bt PoE+ up to 60 watts

Mechanical Specifications:

Conductor Gauge, Solid	22 AWG 24 AWG 26 AWG
Conductor Gauge, Stranded	22 AWG 24 AWG
Wiring	T568A T568B

Dimensions:

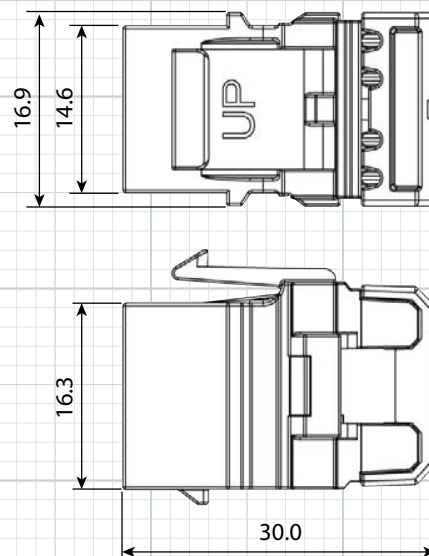
Depth	30 mm 1.18 in
Height	16.9 mm 0.665 in
Width	14.6 mm 0.575 in

Part # Color Legend:

Part #	Color Legend	CC
	White	WH
	Blue	BL
	Black	BK
	Ivory	IV
	Green	GN
	Orange	OR
	Red	RD
	Yellow	YL

* Other colors available subject to minimum orders

Mechanical Drawings:



Country of Origin:

Made in Taiwan

Note: Specification subject to change without notice

Northern Category 6 Products: Jacks, Patch Panels, Patch Cords and Cable

Our Northern Family of Products are System Tested and meet ANSI/TIA C.2 CAT 6 Component, Permanent link and Channel Requirements.
Use these components when building your 6 solution:

Cable: N6ER**CC**1BX, N6P**CC**1BX, N6EP**CC**1BX
 Jacks: NJK6**CC**, NJK6HD**CC**
 Patch Panels: NPP612PM, NPP624P, NPP648P
 Patch Cords: NPC6**LLCC**

Other Northern Components Needed To Complete A System Solution:

Faceplates: NFPP**CC**, NFPP**CC**ID
 Surface Mount Boxes: NSMB**PCC**
 Modular Patch Panels: NPPMOD12PM, NPPMOD24P, NPPMOD48P
 Racks: NRR45U2P, NRR45U4P,
 Fixed Wall Racks: NWMRR241918, NWMRR361918, WMRR481918
 Swing-Out Wall Racks: NRRSWM1924, NRRSWM1936, NRRSWM1948
 Hinged Wall Mount Bracket: NHWB1U6BK, NHWB2U6BK, NHWB3U6BK, NHWB4U6BK
 Horizontal Cable Managers: NHCMFS1U, NHCMFS2U, NHCMD51U, NHCMD52U
 Vertical Cable Managers: NVWM**XXXX** SEE CATALOG
 Ladder Rack System: NLR1210 SEE CATALOG FOR OPTIONS

Part # Color Legend: **CC** = Color

White	WH
Blue	BL
Black	BK
Ivory	IV
Light Almond	LA
Orange	OR
Red	RD
Yellow	YL

Patch Cord Length Legend: **LL** = Available Length

Patch Cords are available in 1, 2, 3, 5, 7, 10, 15, 20, 25, 35, 50, 75, 100 foot lengths

P = Port Count

Faceplate and Surface Mount Boxes available in 1, 2, 3, 4, 6 port

* Other colors available subject to minimum orders