

## 90-Degree Keystone Jack Punch Down Tool

Compatible with Category 6A, 6, 5E & 3, 90 degree Shielded and UTP Jacks

Part Number: **NJKCRIMP90**

### Construction Materials:

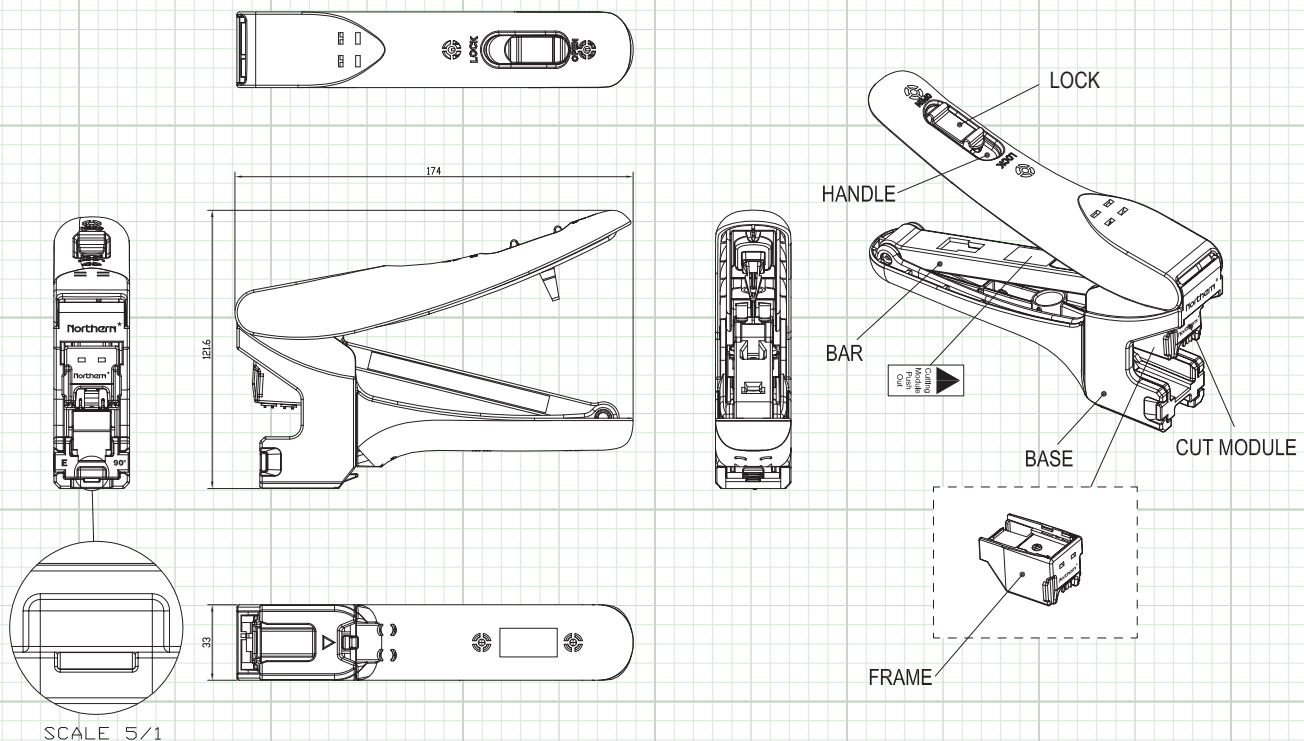
Frame Material	Steel
Handle Material	ABS UL94V-0 Black
Blade Material	Stainless Steel
Base Module Material	ABS UL94V-0 Green

### General Specifications:

Depth	174.0 mm   6.850 in
Height	121.6 mm   4.787 in
Width	33.0 mm   1.299 in
Compatible	Category 6A, 6, 5E & 3, 90 degree Shielded and UTP Jacks
IDC Design	
Exchangable Cutting Module & Base	
Handle Lock	
Up to 85% of time saved during termination	
Up to 70% reduction in forced used to terminate	
The tool is more compact in the locked position	



NJKCRIMP90



Note: Specification subject to change without notice