

Sony 960H Chip, WDR, OSD, DNR, 60' IR Range, 3.6mm Lens

## PRODUCT FEATURES

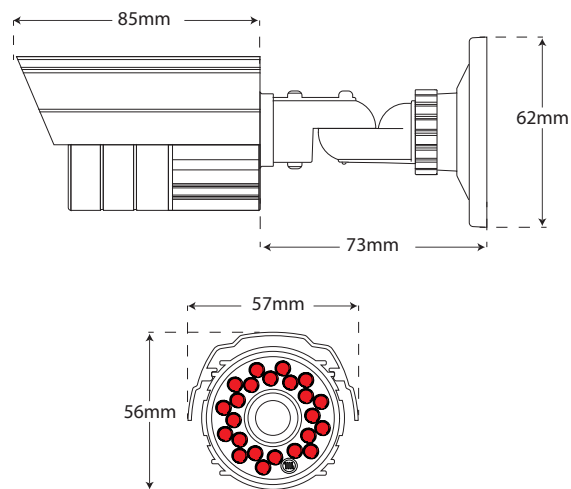
- Sony 960H Chip / 700 Line Resolution
- 3-Axis Cable Management Mount
- OSD Control of All Major Functions
- Digital Wide Dynamic Range
- Digital Noise Reduction
- Day/Night Operation
- 3.6mm Fixed Focal Lens
- 18 IR LED's / 60 Foot IR Range
- IP66 Weatherproof Rating
- 12 Volts DC Power Required

## SPECIFICATIONS

Model No.	B7IR960	B7IRW960
Imaging Device	960H 1/3" SONY Super HAD II CCD	
Resolution	700 TV Lines	
Minimum Illumination	0.0 Lux (IR LED On)	
Lens Size	3.6mm Fixed Focal Lens	
IR LED Range / IR LED Count	60 Feet / 18 Pieces	
IR LED Wavelength	850nm	
Maximum Aperture	F2.0	
S/N Ratio	More than 52db	
Electronic Shutter Speed	AUTO, FLK, 1-60 ~ 1/100,000	
OSD (On Screen Display)	Yes (Cable Mounted)	
BLC (Backlight Compensation)	OFF / BLC / HBLC	
AGC Automatic Gain Control	AUTO / MANUAL	
White Balance	ATW, MANUAL, USER 1, USER 2	
Day-Night	COLOR / BW / AUTO / EXT 1 / EXT 2	
DNR (Digital Noise Reduction)	ON / OFF	
D-WDR (Digital Wide Dynamic Range)	ON / OFF / LUMINANCE / CONTRAST	
Motion Detection	ON / OFF 4 - Zones Programmable	
Privacy Masking	ON / OFF 8 - Zones Programmable	
Sharpness	(Adjustable 0~255)	
TV System	NTSC	
Effective Pixels	976 (H) X 495 (V)	
Scanning System	2:1 Interlaced	
Sync System	Internal Negative Sync	
Video Output	1.0Vp-p 75 OHM Composite BNC	
Gamma Characteristics	0.45	
Power Requirement / Consumption	12 Volts DC / 400mA	
Operating Temperature	-14°F ~ 122°F	
Weight	1.5 Lb.	
Housing / Color	Aluminum (Gray)	Aluminum (White)
Dimension	2.5" x 2.2" x 6.2"	
Weatherproof Rating	IP66	

\* All specifications subject to change without notice for quality improvement

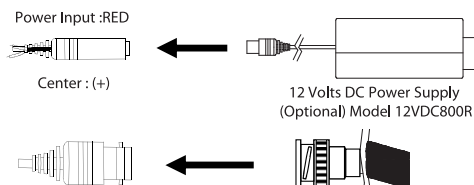
## CAMERA DIMENSIONS / LINE ART



## CAMERA CABLE CONNECTION

Insert power lead into power connector (insure proper voltage is supplied and observe polarity).

Insert video lead into BNC connector (push, then twist to lock BNC connector in place).



## OSD CONTROL

Press the Joystick button on the cable mounted OSD control to access the OSD menu.

In-Line Cable Mounted OSD Control



## PACKAGE CONTENTS

1. Camera
1. User Manual
1. Allen Wrench
1. Mounting Screws



**OSD MENU TREE**

OSD Menu	Lens	Manual		
	SHUTTER / AGC	Auto	High Luminance Mode SHUT / Brightness 0~255 Adjustable	
			Low Luminance Mode AGC / OFF - Brightness x0.25 ~ x 1.00 Adjustable	
		Manual	Mode = SHUT+AGC	
			SHUTTER = 1/60, 1/120, 1/250, 1/500, 1/1000, 1/2000, 1/4000, 1/10000 AGC = 6, 12, 18, 24, 30, 36, 42, 44.8	
	WHITE BALANCE	ATW	SPEED = 0~255 / DELAY CNT = 0~255 / ATW FRAME = x0.50, x1.00, x1.50, x2.00 ENVIRONMENT = INDOOR/ OUTDOOR	
		MANUAL	Level 24~90 Adustable	
		USER 1 / USER2	B-GAIN / R-GAIN LEVEL 0~255 Adjustable	
			ANTI CR	
			PUSH	
			PUSH LOCK	
	BACKLIGHT	OFF / BLC / HLC		
	PICTURE ADJUST	MIRROR = ON/OFF		
		BRIGHTNESS = 0~255 Adjustable		
		CONTRAST = 0~255 Adjustable		
		SHARPNESS = 0~255 Adjustable		
		HUE = 0~255 Adjustable		
		GAIN = 0~255 Adjustable		
	D-WDR	ON / OFF	ON = Luminance = MID - LOW - HIGH CONTRAST = LOW - MID - MIDLOW - MIDHIGH - HIGH	
	MOTION DET	OFF		
		ON - 4 ZONE	DETECT SENSE = 0~127	
			BLOCK DISP = OFF / ON ON = 16X24 Grid Adjustable	
			MONITOR AREA = ON/OFF	
		AREA SELECT 1/4, 2/4, 3/4, 4/4, TOP, BOTTOM, LEFT, RIGHT Adustable		
	PRIVACY	OFF		
		ON - 8 ZONE	AREA SELECT 1/8 ~ 8/8 , TOP, BOTTOM, LEFT, RIGHT Adustable	
COLOR = 1~8 Selectable				
TRANSP = 0.25, 0.50, 0.75, 1.00				
	MOSAIC ON/OFF			
DAY/NIGHT	Auto	BURST = ON/OFF, DELAY COUNT = 0~255, DAY->NIGHT = 0~255, NIGHT->DAY = 0~255		
	B/W	BURST = ON/OFF		
		IR OPTIMIZER = ON / OFF	MODE = AUTO, CENTER LEVEL = 0~31	
		EXT1 / EXT2		
2-DNR	NR MODE	YC = Y LEVEL, C LEVEL 0~15 Adustable		
		C = C LEVEL 0~15 Adustable		
		Y = Y LEVEL, 0~15 Adustable		
		OFF		
CAMERA ID	ON/OFF	ON = 50 Characters Maximum, Position Selectable		
SYNC	INT			
LANGUAGE	ENGLISH, CHINESE, JAPANESE, SPANISH PORTUGUESE, RUSSIAN, FRENCH, GERMAN			
CAMERA RESET / BACK / EXIT / SAVE ALL				