

Sony 960H Chip, WDR, OSD, DNR, 100' IR Range, 2.8~12mm Lens

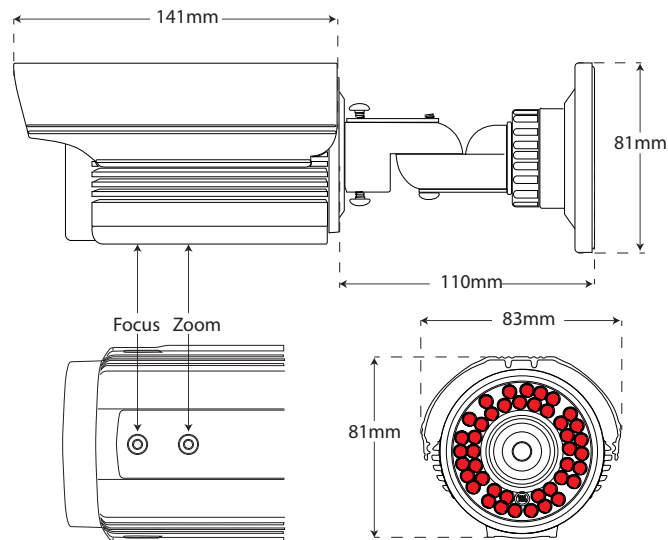
PRODUCT FEATURES

- Sony 960H Chip / 700 Line Resolution
- 3-Axis Cable Management Mount
- OSD Control of All Major Functions
- Digital Wide Dynamic Range
- Digital Noise Reduction
- Day/Night Operation
- 2.8~12mm Varifocal Lens
- 30 IR LED's / 100 Foot IR Range
- IP66 Weatherproof Rating
- 12 Volts DC Power Required

SPECIFICATIONS

Model No.	B7VFIR960	B7VFIRW960
Imaging Device	960H 1/3" SONY Super HAD II CCD	
Resolution	700 TV Lines	
Minimum Illumination	0.0 Lux (IR LED On)	
Lens Size	2.8~12mm Varifocal	
IR LED Range / IR LED Count	100 Feet / 30 Pieces	
IR LED Wavelength	850nm	
Maximum Aperture	F1.2~2.0	
S/N Ratio	More than 52db	
Electronic Shutter Speed	AUTO, FLK, 1-60 ~ 1/100,000	
OSD (On Screen Display)	Yes (Cable Mounted)	
BLC (Backlight Compensation)	OFF / BLC / HBLC	
AGC Automatic Gain Control	AUTO / MANUAL	
White Balance	ATW, MANUAL, USER 1, USER 2	
Day-Night	COLOR / BW / AUTO	
DNR (Digital Noise Reduction)	ON / OFF	
D-WDR (Digital Wide Dynamic Range)	ON / OFF / LUMINANCE / CONTRAST	
Motion Detection	ON / OFF 4 - Zones Programmable	
Privacy Masking	ON / OFF 8 - Zones Programmable	
Sharpness	(Adjustable 1~255)	
TV System	NTSC	
Effective Pixels	976 (H) X 495 (V)	
Scanning System	2:1 Interlaced	
Sync System	Internal Negative Sync	
Video Output	1.0Vp-p 75 OHM Composite BNC	
Gamma Characteristics	0.45	
Power Requirement / Consumption	12 Volts DC / 400mA	
Operating Temperature	-14°F ~ 122°F	
Weight	1.3 Lb.	
Housing / Color	Aluminum (Gray)	Aluminum (White)
Dimension	3.3" x 3.4" x 9.9"	
Weatherproof Rating	IP66	

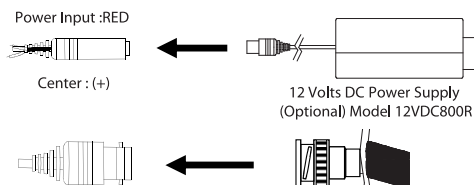
CAMERA DIMENSIONS / LINE ART



CAMERA CABLE CONNECTION

Insert power lead into power connector (insure proper voltage is supplied and observe polarity).

Insert video lead into BNC connector (push, then twist to lock BNC connector in place).



OSD CONTROL

Press the Joystick button on the cable mounted OSD control to access the OSD menu.

In-Line Cable Mounted OSD Control



PACKAGE CONTENTS

1. Camera
1. User Manual
1. Allen Wrench
1. Mounting Screws



* All specifications subject to change without notice for quality improvement

Sony 960H Chip, WDR, OSD, DNR, 100' IR Range, 2.8~12mm Lens

OSD MENU TREE

OSD Menu	Lens	Manual	
	SHUTTER / AGC	Auto	High Luminance Mode SHUT / Brightness 0~255 Adjustable
			Low Luminance Mode AGC / OFF - Brightness x0.25 ~ x 1.00 Adjustable
		Manual	Mode = SHUT+AGC
			SHUTTER = 1/60, 1/120, 1/250, 1/500, 1/1000, 1/2000, 1/4000, 1/10000
	WHITE BALANCE	ATW	SPEED = 0~255 / DELAY CNT = 0~255 / ATW FRAME = x0.50, x1.00, x1.50, x2.00
			ENVIRONMENT = INDOOR/ OUTDOOR
		MANUAL	Level 24~90 Adustable
		USER 1 / USER2	B-GAIN / R-GAIN LEVEL 0~255 Adjustable
			ANTI CR
			PUSH
			PUSH LOCK
	BACKLIGHT	OFF / BLC / HLC	
	PICTURE ADJUST	MIRROR = ON/OFF	
		BRIGHTNESS = 0~255 Adjustable	
		CONTRAST = 0~255 Adjustable	
		SHARPNESS = 0~255 Adjustable	
		HUE = 0~255 Adjustable	
	D-WDR	ON / OFF	ON = Luminance = MID - LOW - HIGH
			CONTRAST = LOW - MID - MIDLOW - MIDHIGH - HIGH
	MOTION DET	OFF	
		ON - 4 ZONE	DETECT SENSE = 0~127
			BLOCK DISP = OFF / ON ON = 16X24 Grid Adjustable
			MONITOR AREA = ON/OFF
	PRIVACY	ON - 8 ZONE	AREA SELECT 1/4, 2/4, 3/4, 4/4, TOP, BOTTOM, LEFT, RIGHT Adustable
			OFF
			AREA SELECT 1/8 ~ 8/8 , TOP, BOTTOM, LEFT, RIGHT Adustable
			COLOR = 1~8 Selectable
TRANSP = 0.25, 0.50, 0.75, 1.00			
DAY/NIGHT	Auto	BURST = ON/OFF, DELAY COUNT = 0~255, DAY->NIGHT = 0~255, NIGHT->DAY = 0~255	
		BURST = ON/OFF	
	B/W	IR OPTIMIZER = ON / OFF	
		MODE = AUTO, CENTER LEVEL = 0~31	
		EXT1 / EXT2	
2-DNR	NR MODE	COLOR	
		YC = Y LEVEL, C LEVEL 0~15 Adustable	
		C = C LEVEL 0~15 Adustable	
		Y = Y LEVEL, 0~15 Adustable	
CAMERA ID	ON/OFF	ON = 50 Characters Maximum, Position Selectable	
SYNC	INT		
LANGUAGE	ENGLISH, CHINESE, JAPANESE, SPANISH PORTUGUESE, RUSSIAN, FRENCH, GERMAN		
CAMERA RESET / BACK / EXIT / SAVE ALL			