

## Back Box for Bullet Cameras



**BB130**

FOR USE WITH THESE Northern<sup>★</sup> CAMERAS:



**TVIMBIR120**

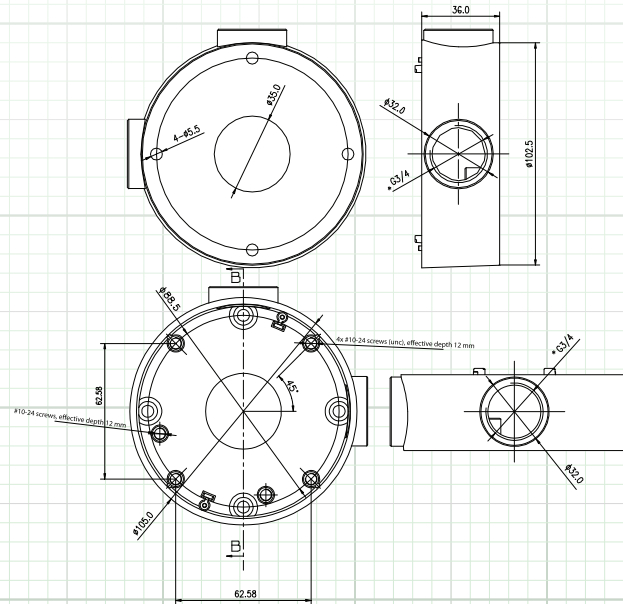
### FEATURES:

- ◆ Aluminum Alloy Material with Surface Spray Treatment
- ◆ Waterproof Design

### NOTE:

- ◆ Pay attention to color matching.

### MOUNT DIMENSIONS:



SPECIFICATION	BB130
Color	White
Application	Back Box for Bullet Camera
Construction	Aluminum Alloy
Dimensions	Ø105 mm x 36 mm (4.13" x 1.42")
Weight	215 g (7.58 ozs)

Note: Specification subject to change without notice