

## Back Box for Bullet Cameras



**BB137**

FOR USE WITH Northern<sup>★</sup>:



**TVIVFBIR120**

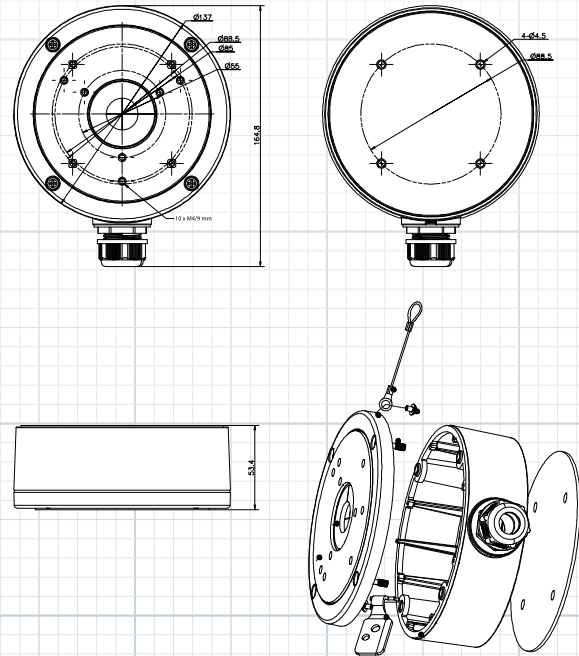
### FEATURES:

- ◆ Aluminum Alloy Material with Surface Spray Treatment
- ◆ Waterproof Design
- ◆ Cable Hole on Bracket for Easy Installation

### NOTE:

- ◆ Pay Attention To Color Matching.
- ◆ Bracket Should Be Installed On A Flat Wall.
- ◆ Waterproof Rubber Is Necessary For Outdoor Applications.
- ◆ The Wall Must Be Capable Of Supporting Three Times The Weight Of The Camera And Mount.
- ◆ Maximum Load Capacity Of The Bracket Is 4.5 Kg (9.92 Lbs).

### MOUNT DIMENSIONS:



SPECIFICATION	BB137
Color	White
Application	Back Box for Bullet Cameras
Construction	Aluminum Alloy
Dimensions	Ø137 mm x 51.5 mm (5.39" x 2.03")
Weight	527 g (18.59 ozs)

Note: Specification subject to change without notice