

Recessed Ceiling Mount for Dome Cameras



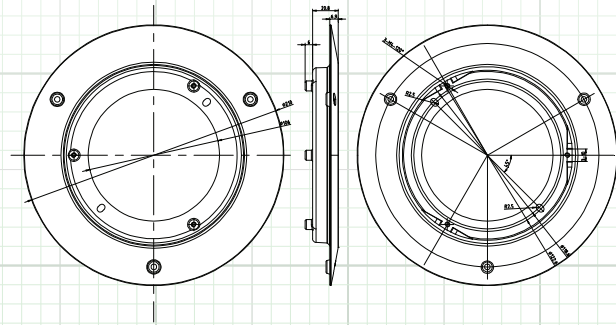
CMR2

MOUNT DIMENSIONS:

FOR USE WITH THESE Northern[★] CAMERAS:



TVIMDIR120



FEATURES:

- ◆ Aluminum Alloy Material with Surface Spray Treatment
- ◆ Designed for Convenient Wiring

NOTE:

- ◆ Install bracket on flat ceiling.
- ◆ Waterproof rubber is necessary for outdoor application.
- ◆ The ceiling must be capable of supporting over three times as much as the total weight of the camera and the mount.
- ◆ Maximum load capacity of the mount is 4.5 kg.

SPECIFICATION	CMR2
Color	White
Application	Recessed Ceiling Mount for Dome Camera
Construction	Aluminum Alloy
Dimensions	Ø210 mm × 26.8 mm (8.27" × 1.05")
Weight	260 g (9.17 ozs)

Note: Specification subject to change without notice