

Recessed Ceiling Mount for Dome Cameras



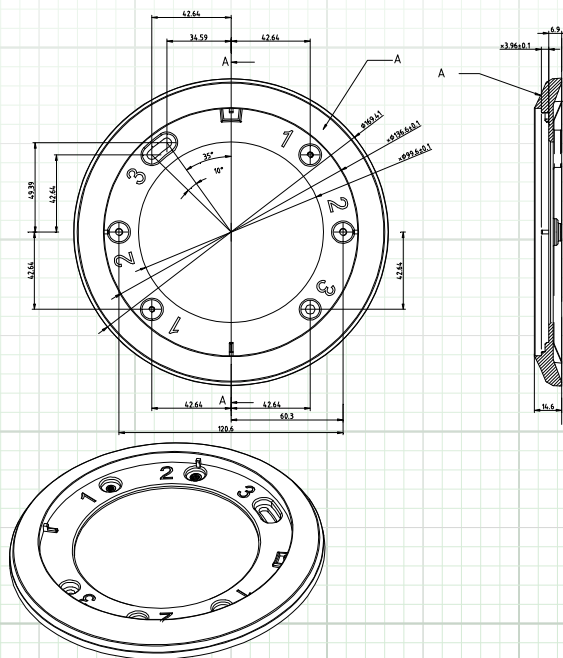
CMR3

FOR USE WITH THESE Northern[★] CAMERA:



TVID212IR2

MOUNT DIMENSIONS:



FEATURES:

- ◆ Enhanced Plastic Material
- ◆ Easy Installation

NOTE:

- ◆ Install On Flat Ceiling.
- ◆ Waterproof Rubber Is Necessary For Outdoor Applications.
- ◆ The Ceiling Must Be Capable Of Supporting Three Times The Weight Of The Camera And Mount.
- ◆ Maximum Load Capacity of the Mount is 4.5 kg (9.92 lbs).

SPECIFICATION	CMR3
Color	White
Application	Recessed Ceiling Mount for Dome Cameras
Construction	Plastic
Dimensions	Ø169.4 mm x 14.6mm (6.67" x .574")
Weight	60 g (2.12 ozs)

Note: Specification subject to change without notice