

# D7960 / D7W960 700 Line Indoor Color Dome Camera



3-AXIS, AGC, AWB, BLC, 3.6MM LENS

## PRODUCT FEATURES

- Sony 960H Chip / 700 Line Resolution
- 3-Axis Wall or Ceiling Mountable
- 3.6mm Wide Angle Lens
- Auto Gain Control
- Auto White Balance
- Auto Backlight Compensation
- Compact & Lightweight
- 12 Volts DC Power

## SPECIFICATIONS

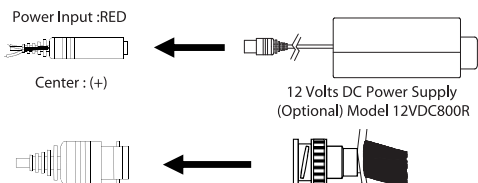
Model No.	D7960 / D7W960	
Image Sensor	960H 1/3" Color Sony SuperHADII CCD	
Effective Picture Elements	976 (H) x 494 (V)	
Resolution	700 Horizontal TV Lines	
Video Output	1.0 Vp-p (Sync. Negative) Termination 75 Ohm	
Minimum Illumination	0.001 Lux (F/1.2)	
S/N Ratio	52dB	
Electronic Shutter	Auto, 1/60 ~ 1/100,000 sec.	
Gain Control	Automatic	
Sync System	Internal 2:1 Interlaced	
Gamma	0.45 typ.	
Back Light Compensation	Automatic	
White Balance	Automatic	
Power Range	Regulated 12V DC $\pm$ 10%	
Power Consumption	Max. 110mA	
Operation Temperature	14° ~ 122°	
Lens Type	Fixed Focal 3.6mm Wide Angle	
Overall Camera Dimensions	3.4" (W) x 2.35" (H)	
Housing – Polycarbonate	Black	White
Weight	7 oz.	

\* All specifications subject to change without notice for quality improvement

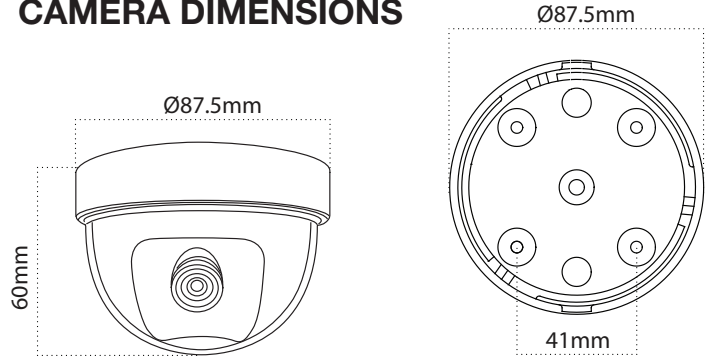
## CAMERA CABLE CONNECTION

Insert power lead into power connector (insure proper voltage is supplied and observe polarity).

Insert video lead into BNC connector (push, then twist to lock BNC connector in place).



## CAMERA DIMENSIONS

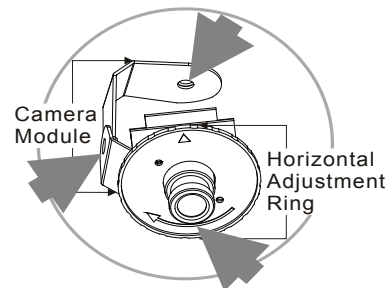
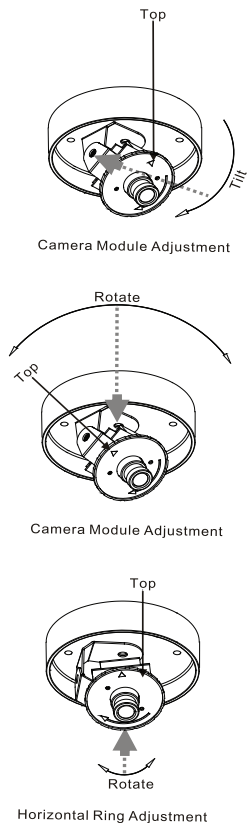


Side-View

Mounting Base

## INSTALLATION

- ① Remove the dome cover from the mounting base by rotating the dome cover.
- ② Adjust the camera's view by first tilting then rotating the camera module, then turn the horizontal adjustment ring to achieve proper orientation.
- ③ Once the installation is complete, replace the dome cover and rotate to tighten.
- ④ Connect the video output to the monitor, DVR or other video device using a 75 OHM coaxial cable. Connect the power input to a 12 volt DC power source, be sure that proper polarity is observed.



## PACKAGE CONTENTS

- (1) Camera
- (1) User's Manual
- (1) Mounting Hardware Packet