

700 Line Indoor Color Dome Camera

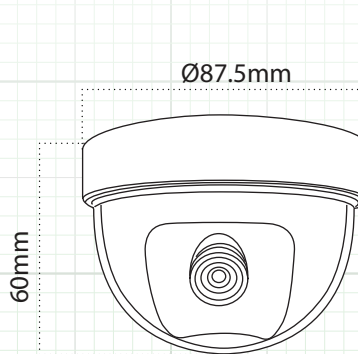
3-Axis, AGC, AWB, BLC, 3.6mm Lens



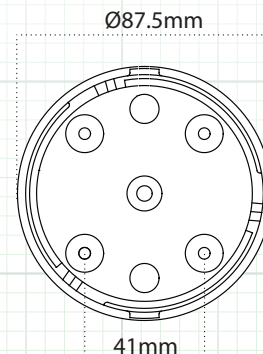
D7960



D7W960



Dimensions



Mounting Base

SPECIFICATION	D7960 / D7W960	
Image Sensor	960H 1/3" Color Sony SuperHADII CCD	
Effective Picture Elements	976 (H) x 494 (V)	
Resolution	700 Horizontal TV Lines	
Video Output	1.0 Vp-p (Sync. Negative) Termination 75 Ohm	
Minimum Illumination	0.001 Lux (F/1.2)	
S/N Ratio	52dB	
Electronic Shutter	Auto, 1/60 ~ 1/100,000 sec.	
Gain Control	Automatic	
Sync System	Internal 2:1 Interlaced	
Gamma	0.45 typ.	
Back Light Compensation	Automatic	
White Balance	Automatic	
Power Range	Regulated 12V DC ±10%	
Power Consumption	Max. 110mA	
Operation Temperature	14° ~ 122°	
Lens Type	Fixed Focal 3.6mm Wide Angle	
Overall Camera Dimensions	3.4" (W) x 2.35" (H)	
Housing – Polycarbonate	Black	White
Weight	7 oz.	

Note: Specification subject to change without notice

FEATURES

- ◆ Sony 960H Chip / 700 Line Resolution
- ◆ 3-Axis Wall or Ceiling Mountable
- ◆ 3.6mm Wide Angle Lens
- ◆ Auto Gain Control
- ◆ Auto White Balance
- ◆ Auto Backlight Compensation
- ◆ Compact & Lightweight
- ◆ 12 Volts DC Power Required

INCLUDED ACCESSORIES

1. Camera
1. User's Manual
1. Mounting Hardware Packet