

## UL Listed, 12 Volt DC Multi-Channel Power Supplies

### FEATURES

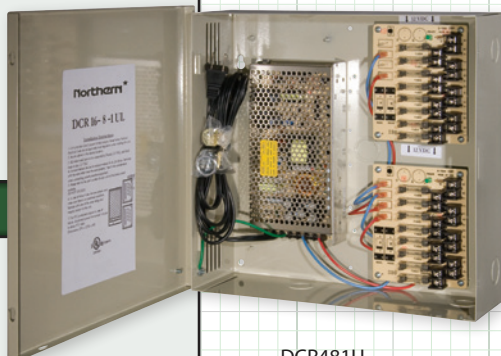
- ◆ Up to 2 amp per Channel Output
- ◆ Replaceable Glass Fuses
- ◆ Heavy Duty Metal Cabinet
- ◆ Removable Front Door for Easy Access
- ◆ LED Indicator
- ◆ Keylock Assembly Included
- ◆ Class II / UL Listed
- ◆ 1/2" - 3/4" Combo Knockouts
- ◆ Fully Regulated

### INCLUDED ACCESSORIES

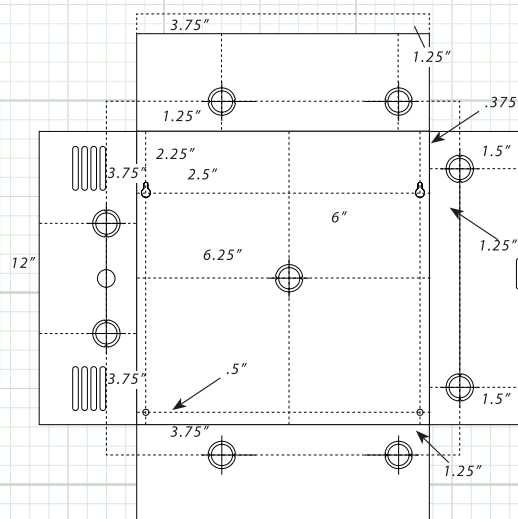
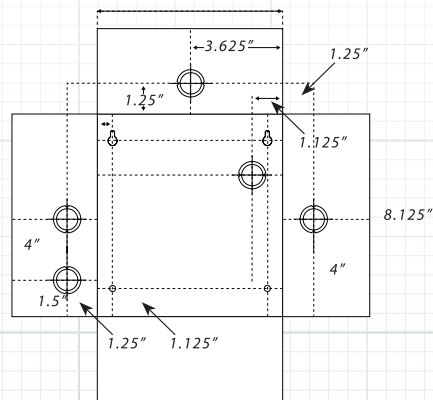
- 1x Power Cord
- 1x Key Lock Assembly
- 2x Keys



DCR441UL  
DCR841UL



DCR481U  
DCR881UL  
DCR1681UL  
DCR1612UL



SPECIFICATION	DCR441UL	DCR481UL	DCR841UL	DCR881UL	DCR1681UL	DCR1612UL
Input Current	115VAC 50/60Hz					
Output Voltage	12VDC					
Total Output Current	4 amp	8 amp	4 amp	8 amp	8 amp	12 amp
Output Current per Channel	1 amp	2 amp	500mA	1 amp	500mA	750mA
Number of Outputs	4	4	8	8	16	16
Output Protection	Fused					
Output Fuse Rating	3.5 amp Per Channel					
AC/DC LED Power Indicator	Yes					
UL Listing	Yes					
1/2" - 3/4" Combo Knockouts	Yes					
Keylock (Included)	Yes with 2 Keys					
Cabinet Material / Color	Metal / Beige					
Cabinet Dimensions	7.6" x 8.3" x 3.5"	12.4" x 12.25" x 4.1"	7.6" x 8.3" x 3.5"	12.4" x 12.25" x 4.1"	12.4" x 12.25" x 4.1"	12.4" x 12.25" x 4.1"

Note: Specification subject to change without notice