

Pendent Cap for Dome Cameras



DPC110

FOR USE WITH THESE Northern[★] CAMERAS:



IP3D



IP4D



IP4D4MM

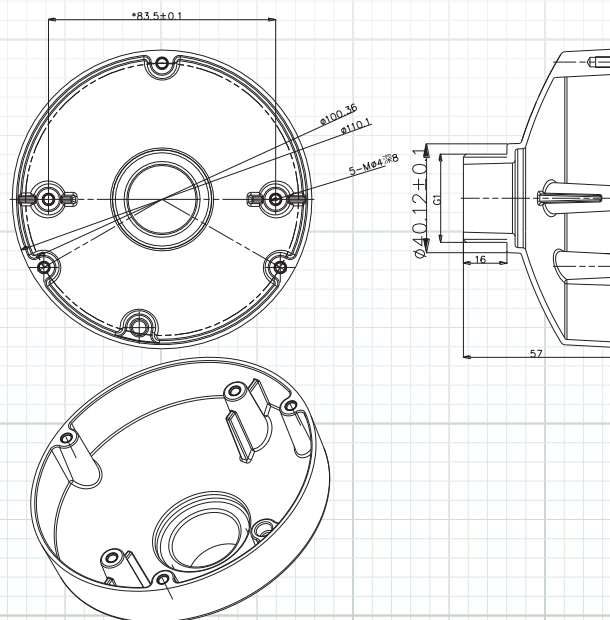
FEATURES:

- ◆ Aluminum Alloy Material with Surface Spray Treatment
- ◆ Waterproof Design

NOTE:

- ◆ Pay attention to color matching
- ◆ The bracket should be installed on flat wall
- ◆ The wall must be capable of supporting over 3 times as much as the total weight of the camera and the mount.
- ◆ The maximum load capacity of the bracket is 5KG

MOUNT DIMENSIONS:



SPECIFICATION	DPC110
Color	White
Application	Pendent Cap for Dome Camera
Construction	Aluminum Alloy
Dimensions	Ø110 mm x 57 mm
Weight	132 g

Note: Specification subject to change without notice