

Pendant Cap for Dome Cameras



DPC130T

FOR USE WITH THESE Northern[★] CAMERAS:



IP3T



IP4T



TVITIR100

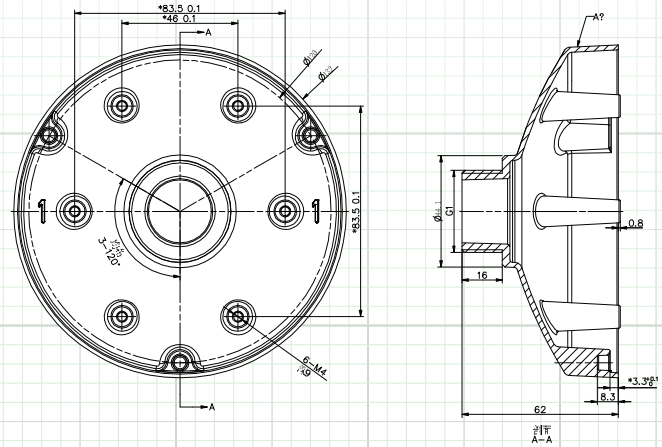
FEATURES:

- ◆ Aluminum Alloy Material with Surface Spray Treatment
- ◆ Waterproof Design

NOTE:

- ◆ Install box on flat wall.
- ◆ Waterproof rubber is necessary for outdoor application.
- ◆ The wall must be capable of supporting over three times as much as the total weight of the camera and the box.
- ◆ The maximum load capacity of the box is 4.5 kg.

MOUNT DIMENSIONS:



SPECIFICATION	DPC130T
Color	White
Application	Pendant Cap for Dome Camera
Construction	Aluminum Alloy
Dimensions	Ø132 mm x 62 mm (5.2" x 2.4")
Weight	190 g (6.7 ozs)

Note: Specification subject to change without notice