

2.5mm - 150° FOV

PRODUCT FEATURES

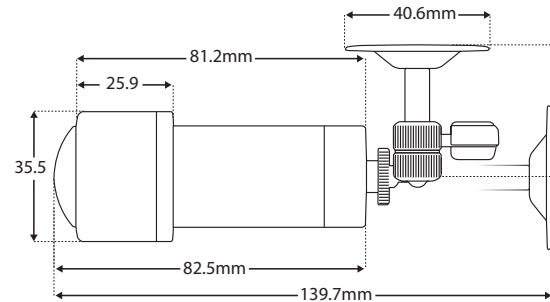
- 1/2.9" Sony CMOS Sensor
- Multi Format (TVI, CVI, AHD, 960H)
- Full HD 1080p Resolution
- 2.5mm/150° FOV Ultra Wide Angle Lens
- Digital Wide Dynamic Range
- Cable & UTC OSD Control
- Sense-up / Slow Shutter Speed
- 3D Digital Noise Reduction
- 12 Volt DC power / IP66 Weatherproof

SPECIFICATIONS

Model No.	HDBWIDE
Image Sensor	1/2.9" Sony CMOS Sensor
Total Pixels	1984 x 1225
Active Pixels	1920 x 1080
Resolution	1920 x 1080 (1080p)
Scanning System	Progressive Scan
Dual OSD Control Access (On Screen Display)	Cable Mounted Joystick Controlled / UTC (coaxial) Controlled
Digital WDR (Wide Dynamic Range)	Auto / Off / On - 0 ~ 8 Adjustable
DNR (Digital Noise Reduction)	2D & 3D, Low, Middle, High, Of
Video Output	TVI, CVI, AHD & 960H Selectable via OSD Joystick
Lens Type - True Day Night	2.5mm Ultra-Wide Angle Fixed Lens (150° FOV)
Sense-up	Off / Auto (x2 ~ x30 Selectable)
Shutter Speed	Auto, FLK, 1/30 ~ 1/50,000, x2 ~ x30
Minimum Illumination	Color 1.0 Lux, B/W 0.5 Lux
S/N Ratio	More than 50dB
Automatic Gain Control	0 ~ 15 Adjustable
Sync System	Internal
Gamma Characteristics	$\gamma = 0.45$ typ
White Balance	AWB / ATW / AWC->Set / Indoor / Outdoor / Manual
Back Light Compensation	Off / BLC / HSBLC
HBLC (High Back Light Compensation)	On / Of
Day/Night	EXT / Auto / Color / B/W
Mirror	Mirror / V-Flip / Rotate / Of
Languages	English, French, Spanish, German, Italian (see OSD Menu for more)
Brightness	0 ~ 100 Adjustable
Motion Detection	On/Off (4 Zone Selectable)
Privacy Mask	On/Off (4 Zone Selectable)
Power Input	12VDC Only
Power Requirement	130mA
Overall Camera Dimensions	3.2"(W) x 1.4"(H) (70mm x 80mm)
Housing / Color	Aluminum / White
Weight	.89 Lb.
Operating Temperature	-14°F ~ 122°F
Weatherproof Rating	IP66



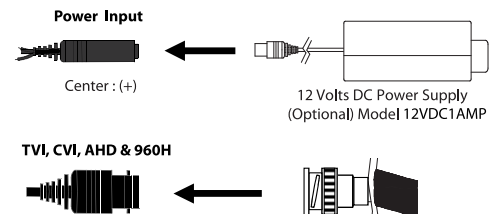
CAMERA DIMENSIONS / LINE ART



CAMERA CABLE CONNECTION

Insert power lead into power connector (insure proper voltage is supplied and observe polarity).

Insert video lead into BNC connector (push, then twist to lock BNC connector in place).



Use In-Line OSD control to select format:

- 960H Mode** : Push OSD LEFT for 5 seconds
- AHD Mode** : Push OSD RIGHT for 5 seconds
- CVI Mode** : Push OSD UP for 5 seconds
- TVI Mode** : Push OSD DOWN for 5 seconds

OSD CONTROL

Press the Joystick button on the cable mounted OSD control to access the OSD menu.

In-Line Cable Mounted OSD Control



PACKAGE CONTENTS

- (1) Camera
- (1) Mounting Hardware Packet
- (1) User Manual
- (1) Camera Bracket

2.5mm - 150° FOV

OSD MENU TREE

MENU	SUB MENU AND DEFAULT SETTING				
LENS	DC	MODE	INDOOR		
			OUTDOOR	MIN SHU.	1/30
				MAX SHU.	1/60, FLK, 1/240, 1/480,
1/1000, 1/2000, 1/5000, 1/10000, 1/50000					
IRIS SPEED	0~15				
MANUAL					
EXPOSURE	SHUTTER	AUTO, 1/30, 1/60, FLK, 1/240, 1/480, 1/1000, 1/2000, 1/5000, 1/10000, 1/50000, X2, X4, X6, X8, X10, X15, X20, X25, X30			
	AGC	1~15			
	SENS-UP	OFF			
		AUTO	X2, X4, X6, X8, X10, X15, X20, X25, X30		
	BRIGHTNESS	1~100			
	D-WDR	OFF			
		ON	LEVEL	0~8	
	DEFOG	OFF	GRADATION	0~2	
	AUTO	POS/SIZE	DEFAULT		
BACK LIGHT	OFF				
	BLC	LEVEL	LOW,MIDDLE,HIGH		
		AREA	DEFAULT		
		SELECT	AREA1~4		
	HSBLC	DISPLAY	OFF,ON		
		BLACKMASK	ON,OFF		
		LEVEL	0~100		
		MODE	ALL DAY		
			NIGHT	AGC LEVEL	0~255
		DEFAULT			
WHITE BAL		ATW			
	AWCàSET				
	INDOOR				
	OUTDOOR				
	MANUAL	BLUE	0~100		
		RED	0~100		
	AWB				
DAY NIGHT	AUTO	D > N (CDS)	6~255		
		D > N (DELAY)	0~60		
		N > D (CDS)	0~249		
		N > D (DELAY)	0~60		
	COLOR				
	B/W	BURST	ON,OFF		
		IR SMART	OFF		
ON	LEVEL		0~15		
EXT	D>N	0~60			
	N>D	0~60			
NR	2DNR	OFF,LOW,MIDDLE,HIGH			
	3DNR	OFF,LOW,MIDDLE,HIGH			

MENU	SUB MENU AND DEFAULT SETTING				
SPECIAL	CAM TTLTLE	OFF,ON			
	D-EFFECT	FREEZE	ON,OFF		
		MIRROR	OFF, MIRROR, V-FLIP, ROTATE		
		NEG. IMAGE	OFF, ON		
	MOTION	SELECT	AREA 1~4		
		DISPLAY	ON,OFF		
		SENSITIVITY	0~100		
		COLOR	GREEN,BLUE,WHITE,RED		
		TRANS	1.00, 0.75, 0.25, 0.00		
		ALRAM	VIEW TYPE	ALL,OFF,BLOCK,OUT LINE	
			OSD VIEW	ON, OFF	
			ALRAM OUT	OFF, ON	
			ALRAM SIG	LOW,HIGH	
		TIME	0~15		
	DEFAULT				
	PRIVACY	OFF			
		ON	SELECT	AREA1~4	
			DISPLAY	OFF, COLOR, MOSAIC, INV.	
			COLOR	WHITE,BLACK,RED,BLUE, YELLOW,GREEN,CYAN, YSER	
			TRANS	1.00,0.75,0.50,0.25	
	DEFAULT				
	LANGUAGE	ENG, CHN1, CHN2, GER, FRA, ITA, SPA, POL, RUS, POR, NED, TUR, KOR, JPN			
	DEFECT	LIVE DPC	OFF		
			ON	AGC LEVEL	0~255
				LEVER	0~100
WHITE DPC		POS/SIZE			
		START			
		DPC VIEW	OFF,ON		
		LEVEL	0~100		
		AGC	0~14		
		SENS-UP	X2,X4,X6,X8,X10, X15,X20,X25,X30		
BLACK DPC		POS/SIZE			
		START			
		DPC VIEW	ON, OFF		
	LEVEL	0~100			
RS-485	CAM ID	0~255			
	ID DISPLAY	OFF,ON			
	BAUDRATE	2,400,480,096,001,920,000,000			

MENU	SUB MENU AND DEFAULT SETTING				
EXIT	ADJUST	SHARPNESS	AUTO	LEVEL	0~10
				START AGC	0~255
				END AGC	0~255
			OFF		
		MONITOR	LCD	GAMMA	USER,0.45~1.00
				BLUE GAIN	0~100
				RED GAIN	0~100
				BLUE GAIN	0~100
				RED GAIN	0~100
		LSC	OFF, ON		
		VIDEO. OUT	NTSC, PAL		
		MONITOR OUT	CVBS, AHD, THD, CHD		
		IR LED	ON, OFF		
	EXIT	SAVE&END,RESET,NOT SAVE			