

# 4-in-1, Full HD 1080p Bullet Camera

## 2.5mm - 150° FOV



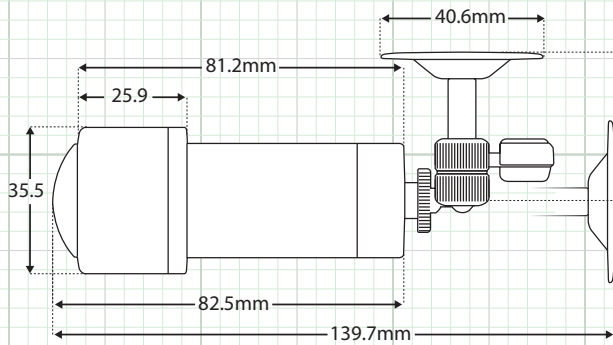
### FEATURES:

- ◆ 1/2.9" Sony CMOS Sensor
- ◆ Multi Format (TVI, CVI, AHD, 960H)
- ◆ Full HD 1080p Resolution
- ◆ 2.5mm/150° FOV Ultra Wide Angle Lens
- ◆ Digital Wide Dynamic Range
- ◆ Cable & UTC OSD Control
- ◆ Sense-up / Slow Shutter Speed
- ◆ 3D Digital Noise Reduction
- ◆ 12 Volt DC power / IP66 Weatherproof

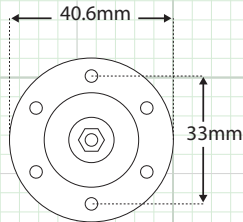


In-Line Cable Mounted OSD Control

### CAMERA OVERVIEW:



Side View / Bottom View & Mounting Configuration



### INCLUDED ACCESSORIES:

1. Camera
1. User Manual
1. Mounting Screws
1. Camera Bracket

SPECIFICATION	HDBWIDE
Image Sensor	1/2.9" Sony CMOS Sensor
Total Pixels	1984 x 1225
Active Pixels	1920 x 1080
Resolution	1920 x 1080 (1080p)
Scanning System	Progressive Scan
Dual OSD Control Access (On Screen Display)	Cable Mounted Joystick Controlled / UTC (coaxial) Controlled
Digital WDR (Wide Dynamic Range)	Auto / Off / On - 0 ~ 8 Adjustable
DNR (Digital Noise Reduction)	2D & 3D, Low, Middle, High, Of
Video Output	TVI, CVI, AHD & 960H Selectable via OSD Joystick
Lens Type - True Day Night	2.5mm Ultra-Wide Angle Fixed Lens (150° FOV)
Sense-up	Off / Auto (x2 ~ x30 Selectable)
Shutter Speed	Auto, FLK, 1/30 ~ 1/50,000, x2 ~ x30
Minimum Illumination	Color 1.0 Lux, B/W 0.5 Lux
S/N Ratio	More than 50dB
Automatic Gain Control	0 ~ 15 Adjustable
Sync System	Internal
Gamma Characteristics	$\gamma = 0.45$ typ
White Balance	AWB / ATW / AWC->Set / Indoor / Outdoor / Manual
Back Light Compensation	Off / BLC / HSBLC
HBLC (High Back Light Compensation)	On / Of
Day/Night	EXT / Auto / Color / B/W
Mirror	Mirror / V-Flip / Rotate / Of
Languages	English, French, Spanish, German, Italian (see OSD Menu for more)
Brightness	0 ~ 100 Adjustable
Motion Detection	On/Off (4 Zone Selectable)
Privacy Mask	On/Off (4 Zone Selectable)
Power Input	12VDC Only
Power Requirement	130mA
Overall Camera Dimensions	3.2"(W) x 1.4"(H) (80mm x 37mm)
Housing / Color	Aluminum / Black
Weight	.35 Lb.
Operating Temperature	-14°F ~ 122°F
Weatherproof Rating	IP66

Note: Specification subject to change without notice