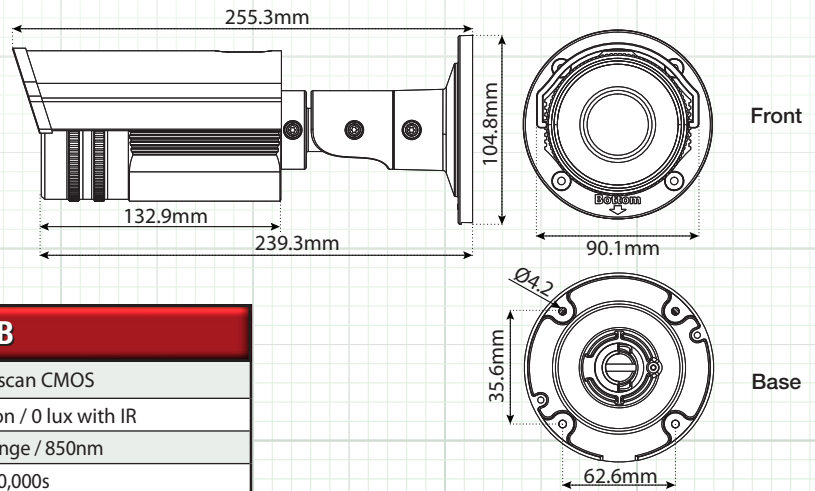


3.0 Megapixel IP Outdoor IR Bullet Camera

POE, Full HD 1080P, 2.8~12mm IR Lens, DWDR, 100' IR, IP66



	SPECIFICATION	IP3VFB
CAMERA	Image Sensor	1/3" progressive scan CMOS
	Minimum Illumination	0.095 lux@ F1.4, AGC on / 0 lux with IR
	IRLED Count / Range / Nanometer	42 IR LEDs / 100' Range / 850nm
	Shutter Time	1/30s ~ 1/100,000s
	Lens (IR Corrective)	2.8~12mm @ F1.4, angle of view: 91° ~ 28°
	Lens Mount	Φ 14
	Camera Bracket Adjustment	3-Axis Design
	Day & Night	Yes - ICR Filter with Auto Switch
	DNR (Digital Noise Reduction)	3D DNR
	WDR (Wide Dynamic Range)	Digital WDR
	BLC (Backlight Compensation)	Yes, Zone Configurable
	On-board storage	Built-in Micro SD/SDHC/SDXC card slot, up to 64 GB
COMPRESSION	Video Compression	H.264 / MJPEG
	H.264 Codec Profile	Main Profile
	Bit Rate	32 Kbps ~ 16 Mbps
	Dual Streaming	Yes
IMAGE	Maximum Image Resolution	2048 x 1536
	Frame Rate	60Hz: 15fps (2048 x 1536), 30fps (1920 x 1080), 30fps (1280 x 720)
	Image settings	Saturation, brightness, contrast adjustable through client software or web browser
NETWORK	Network Storage	Compatible
	Alarm Trigger	Motion detection, tampering alarm, network disconnect, IP address conflict, storage full, storage error
	Protocols	TCP/IP, HTTP, DHCP, DNS, DDNS, RTP, RTSP, PPPoE, SMTP, NTP, UPnP, ICMP, IGMP, SNMP, FTP, 802.1X, QoS, HTTPS
	System Compatibility	ONVIF, PSIA, CGI
	Security Functions	User authentication, reset button, dual stream, watermark
	Communication Interface	1 RJ45 10M / 100M ethernet port
GENERAL	Operating Conditions	-30°C ~ 60°C (-22°F ~ 140°F) humidity 95% or less (non-condensing)
	Housing Color	White
	Housing Material	Heavy Duty Aluminum
	Power Supply	12 VDC ± 10%, PoE (802.3af)
	Power Consumption	Max. 5W (7W with ICR on)
	Weatherproof Rating	IP66
	Dimensions	95 x 105 x 258.6 mm (3.74" x 4.13" x 10.18")
	Weight	1200g (2.65lbs)
	Certifications	UL / CUL

FEATURES

- ◆ Full HD 1080p / 720p Real Time Video
- ◆ Up to 2048 x 1536 Resolution (15FPS)
- ◆ POE - Power over Ethernet
- ◆ Free CMS & IP Server Software
- ◆ SD-Card Slot (card sold separately)
- ◆ Junction Box with 3/4 Knockout Included
- ◆ 2.8 ~12mm Varifocal IR Lens
- ◆ Digital Wide Dynamic Range
- ◆ Digital Noise Reduction
- ◆ Mechanical IR Cut Filter
- ◆ 42 IR LED's - 100' IR Range
- ◆ ONVIF / PSIA / CGI Compliant
- ◆ IP66 Weatherproof
- ◆ UL/CUL Certified

INCLUDED ACCESSORIES

1. Quick Guide
1. Software Disk
1. Mounting Template & Hardware Packet
1. Junction Box
1. L-Style Wrench
1. Video Test Cable

Note: Specification subject to change without notice