

POWER OVER ETHERNET EXTENDER

MODEL: IPPOEEXT

Features

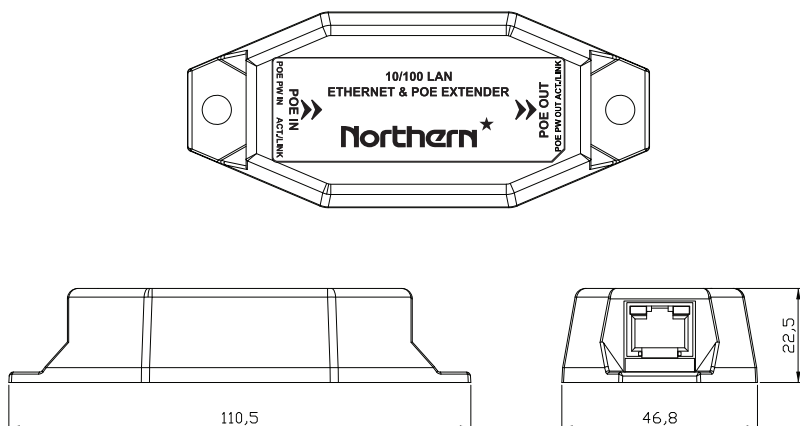
- IEEE 802.3af/at Power over Ethernet Compliant.
- Connecting each **IPPOEEXT** can Extend Transmission Range for 100m.
- Maximum of 700m at 6 Watts PoE can be Achieved Using [6] **IPPOEEXT** at 100 m (328 ft) Intervals.
- Automatically Detects & Protects PoE Equipment from Being Damaged by Incorrect Installation.
- No Additional Power Required.
- True Plug-&-Play Design for Easy Installation and Operation.
- Built in LED indicators : PoE Power on and Network act./link
- Made for PoE IP Camera or Network Device.
- Built in 4KV Surge Protection (IEC-61000-4-5) & 4KV Electrostatic Discharge (HBM).

Specification

MODEL	IPPOEEXT
Ethernet Interface	
Connector Type	2 x RJ-45
Cable Type	Straight Through or Cross-over Cat5 Cable or Higher, Auto MDI/MDIX
Rate	IEEE 802.3x, Auto-Detection for 10/100Base-T and Full/Half Duplex
Indicators (LEDs on the RJ45 connector)	
Green LED	PoE Input Power On
Yellow LED	Network Act./Link
Power	
Power Consumption	1.25W via PoE
PoE	
Power Forwarding	Up to 70W Depending on Standard Max. Current 0.75A on Data Pairs Max. Current 1.50A on Spare Pairs
Compliant Standard	IEEE 802.3af POE IEEE 802.3at POE+ (2-Event signature) Custom POE (Including "Always-on 48V" & "4-pair")
Mechanical & Environmental	
Mounting	Wall or Shelf (2 x M5 Holes)
Weight	<51g (1.8oz)
Dimensions (W x L x H)	46.8 x 110.5 x 22.5 mm (1.84" x 4.35" x 0.88")
Operation Temperature	-15°C ~ 60°C(5°F~140°F)
Humidity	20% to 85% RH. (Non-Condensing)
Storage Temperature	-30°C ~ 85°C(-22°F~185°F)

Housing Drawing

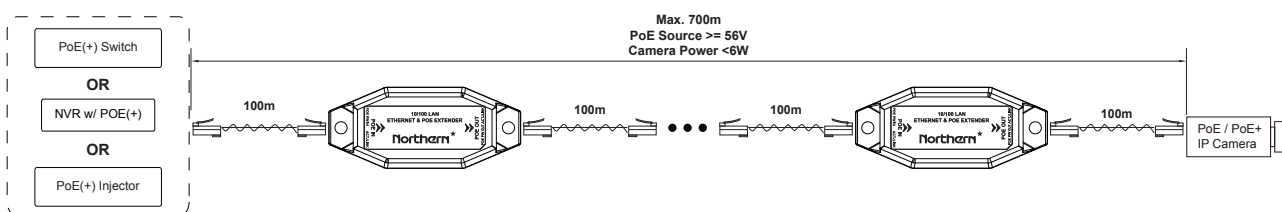
IPPOEEXT



PoE Source & Link Distance Chart:

Power Delivered \ PoE Source	6W	12W	18W	25W
	Maximum Distance			
POE Switch (DC48V Supplied)	400m	200m	--	--
POE+ Switch (DC50V Supplied)	700m	400m	--	--
POE+ Switch (DC56V Supplied)	700m	500m	350m	200m

Connection Diagram: Forward PoE Power & Ethernet Data to Camera



VER:20150302