

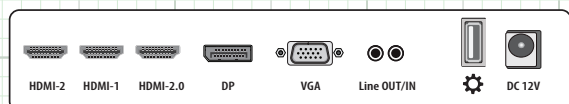
4K 28" Widescreen LED Security Monitor w/ Display Port, VGA & (3) HDMI Inputs

FEATURES:

- ◆ 4K / 3840 x 2160 Max Resolution
- ◆ Display Port, VGA & (3) HDMI Inputs
- ◆ 16:9 Aspect Ratio
- ◆ LED Backlight
- ◆ Super Fast 5ms Response Time
- ◆ Included IR Remote Control
- ◆ Included VGA & HDMI Cables
- ◆ PIP, PBP (2-4 Window)
- ◆ PC Audio Input/Output
- ◆ Full OSD Control
- ◆ Vesa Mounting (100x100)



REAR PANEL CONNECTIONS:



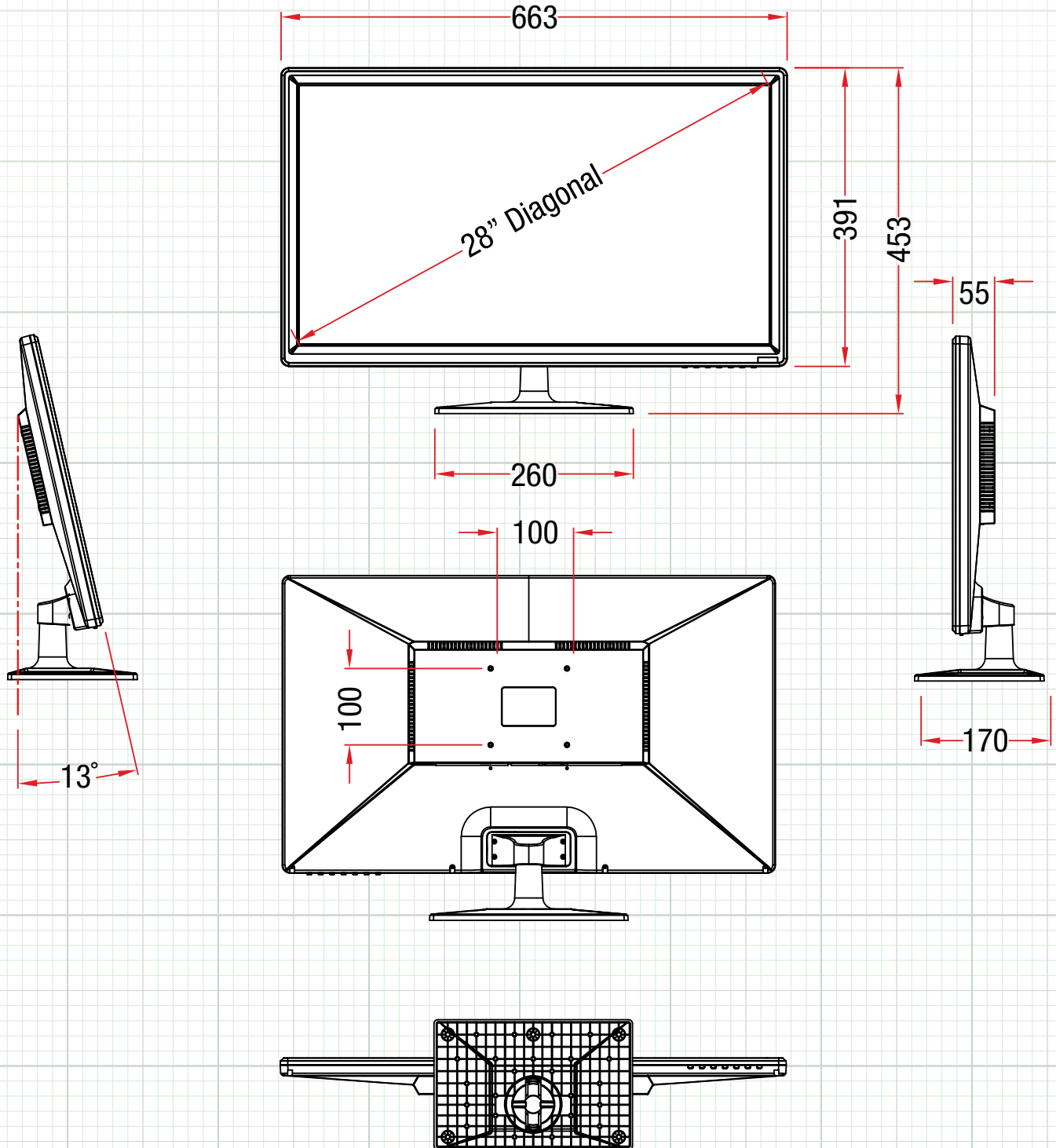
INCLUDED ACCESSORIES:

Base Plate, AC Power Adapter & Cord,
HDMI & VGA Cables, IR Remote Control,
User's Manual

SPECIFICATION	LED4K28
Video System	NTSC/PAL (Auto Sensing)
Max Resolution	3840x2160 (4K) @ 60Hz
Remote Control	Included
Supported Resolutions	3840*2160, 2560*1440, 1920*1080, 1680*1050, 1400*900, 1280*1024, 1024*768, 800*600, 640*480
OSD (On Screen Display)	Yes
Auto Adjustment	Yes (VGA Input Only)
Backlight	LED Backlight
Active Display Area	28" Diagonal
Video Input Connections	VGA, DP, HDMI 2.0, HDMI-1, HDMI-2
VGA	1920 x 1080 Max Resolution
Display Port & HDMI 2.0	4K UHD @ 60Hz Max Resolution (DP Version 1.2, HDMI Version 2.0)
HDMI-1, HDMI-2	4K UHD @ 30Hz Max Resolution (HDMI Version 1.4)
Aspect Ratio	16:9, 4:3, 1:1, Auto (Selectable from OSD)
Pixel Pitch	0.16(H) x 0.16(V) mm
Color Depth	1.07G Colors
Brightness	300 cd/m2
Contrast Ratio	1000:1
Viewing Angle	Vertical -80°~80° / Horizontal -85°~85°
Response Time	5 ms
Languages	English, Chinese, Korean, Russian, Spanish, Japanese, French
Special Features	PIP, PBP (2, 3 & 4 Window)
Audio Connections	3.5mm Jack Input/Output
Speakers	5W x2
Power Supply	External 12Volt DC / 4Amp (cUL, FCC, CE, Lvl VI, ROHS)
Input Voltage for Power Supply	AC 100-240V 50/60HZ
Power Consumption	42W Max. in "ON" Mode
Dimensions w/Stand (W x H x D)	663(W) x 453(H) x 170(D) mm
Weight	7.2kgs(15.9lbs)
Vesa Mounting	100 x 100mm with M4 Hole
Housing Material / Color	Plastic / Black
Operating Temperature	Operation: 0°~40°C (32° ~104°F)

Monitor Dimensions:

LED4K28



Note: Specification subject to change without notice