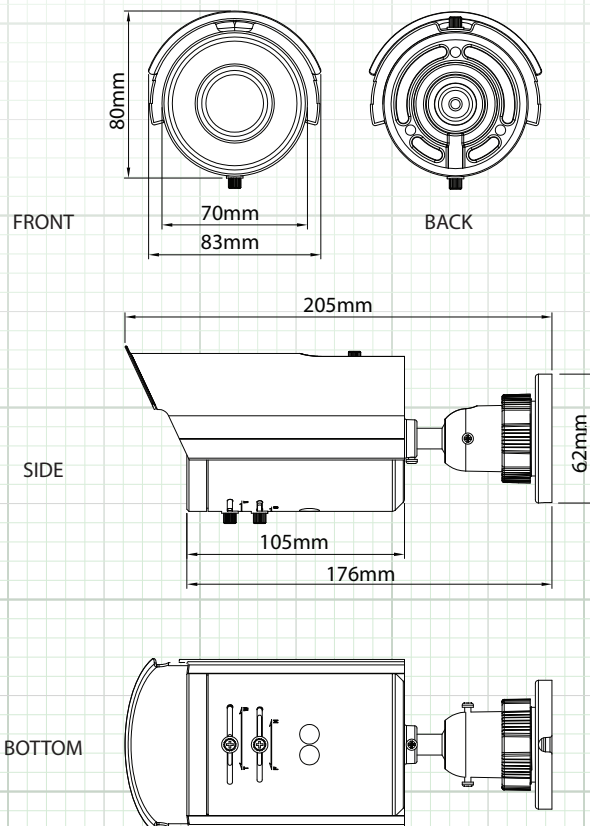


## B/W License Plate Capture, Bullet Camera



Note: For license plate capture only.  
This technology will not take pictures of surrounding areas.



SPECIFICATION	LPRCAM
Image Sensor	1/3" SONY CCD
Effective Picture Elements	768 x 494
Resolution	600 TV Lines B/W
Sync System	Internal
Scanning System	2:1 Interlace
Lens Type	IR Corrective, 9-22mm, F1.4 DC Iris Lens
Viewing Angle	Horizontal: 32.1° ~ 13.1° / Vertical: 23.3° ~ 9.8°
Gamma	0.45
Minimum Illumination	0.0 Lux IR LED On
S/N Ratio	More than 50dB (AGC Off)
Back Light Compensation	Auto (Center Weighting)
Video Output	1.0 Vp-p (Sync. Negative) Termination 75 OHM
IR LED	36pc Super Power LED
IR Wavelength	850nm
IR Range	50 Feet
LED Lifetime	More than 10,000 hours
Capture Range	10 ~ 27 Feet
Capture Speed	Up to 56 mph
Power Requirement	12VDC / 24VAC
Power Consumption	10W Max
Overall Camera Dimensions	3.3" x 8.1"
Weight	approx 1.35lb
Operation Temperature	-14° F ~ 122° F
Weatherproof Rating	IP66

### FEATURES

- ◆ 600 Lines of Resolution
- ◆ Headlight Suppression Technology
- ◆ 9-22mm IR Corrective Lens
- ◆ 50' IR LED Range
- ◆ 36 Super Power LEDs
- ◆ Capture Speed up to 56 MPH
- ◆ Cable Management Bracket
- ◆ Dual Voltage Power
- ◆ IP66 Weatherproof Rating

### INCLUDED ACCESSORIES

- 1x Camera
- 1x User Manual

Note: Specification subject to change without notice