

N2 Series IP Camera

N2 Series 4MP IP, True WDR, Outdoor Varifocal IR Dome Camera Autofocus 2.7-13.5mm IR Lens w/ Remote Zoom, 120' IR, IP66/IK10, SD Card Slot

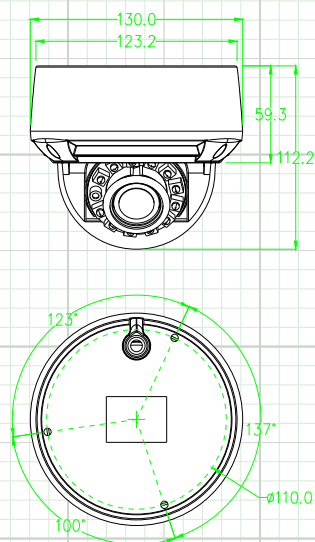


N2IP4AFDSD

FEATURES:

- ◆ H.265 & H.264 Compression
- ◆ True Wide Dynamic Range - 120dB
- ◆ Up to 2592 x 1520 Resolution
- ◆ Autofocus 2.7-13.5mm IR Lens w/ Remote Zoom
- ◆ 4 High Power IR LED's – 120' IR Range
- ◆ SD Card Slot - Supports 256Gb
- ◆ Mechanical IR Cut Filter
- ◆ Triple Stream Capability
- ◆ Audio Line In/Out & Alarm
- ◆ 3D Digital Noise Reduction
- ◆ POE - Power over Ethernet
- ◆ Free CMS Software
- ◆ ONVIF Profile S/G/T Compliant
- ◆ IK10 Impact Resistance
- ◆ IP66 Weatherproof

CAMERA OVERVIEW:



Note: Specification subject to change without notice

INCLUDED ACCESSORIES:

- Quick Guide, Mounting Template,
- Hardware Packet, Adjustment Wrench,
- Waterproof Connector

	FEATURES	N2IP4AFDSD
Camera	Image Sensor	1/2.8" Progressive Scan CMOS
	Minimum Illumination	Color: 0.05Lux @(F1.2,AGC ON) , B/W: 0Lux @(IR LED ON)
	S/N Ratio	55dB
	IR LED Count / Range / Nanometer	4 High Power IR LED's – 120' IR Range / 850nm
	Shutter Time	1/5s - 1/20,000s
	Lens Type / Viewing Angle	Autofocus 2.7-13.5mm with Remote Zoom / H: 34.3° - 103°
	Camera Bracket Adjustment	Pan: 0°~355°, Tilt: 0°~80°, Rotation: 0°~355°
	Day & Night	Yes - True Day/Night with IR Filter - Auto Switch
	DNR (Digital Noise Reduction)	2DNR & 3DNR, Auto / Manual (0-100 Adjustable)
	True Wide Dynamic Range (120dB)	On / Off (0-100 Adjustable)
	BLC (Backlight Compensation)	On / Off (0-100 Adjustable)
	Smart Analytic Features	Perimeter, Single Virtual Fence, Double Virtual Fence
	Region of Interest	Yes
	Audio Compression	G.711, RAW_PCM
Video Compression	H.265, H.264, MJPEG (for all stream types)	
Resolution/Bitrate	Max. Resolution	2592 x 1520 (4MP)
	Mainstream Resolution	2592x1520, 2560x1440, 2304x1296, 1920x1080, 1280x720 @25/30FPS
	Substream Resolution	D1, VGA, 640x360, CIF, QVGA @25/30fps
	Third Stream Resolution	VGA, CIF, QVGA @25/30FPS
	Audio Bitrate	8kbps, 16kbps, 64kbps
	Video Bitrate	Main: 500kbps ~ 12000kbps Sub: 100kbps ~ 6000kbps Third: 100kbps ~ 3000kbps
Network	Protocols	IPv4/IPv6, 802.1x, HTTP, HTTPS, TCP/IP, UDP/IP, RTSP, DHCP, NTP, RTPC/RTP, PPPoE, SMTP, DNS, UPnP, FTP, ARP, SNMP
	General Function	Supports Mirror, Aisle Mode, Smart IR, Password Protection, Privacy Mask, Motion Detection
	Users	Up to 10 Users
	Client Software	NorthernView CMS, NorthernView Mobile App, NorthernView Tools
	Web Browser	IE11, Chrome, Firefox
Interface	Communication Interface	1 Ethernet (10/100 Base-T) RJ-45 Connector
	Audio	1Ch Input/Output (3.5mm)
	Alarm	1Ch Input/Output (Screw Terminal Connector)
	Reset Button	Yes
	Onboard Storage	Yes Built in Micro SD/SDHC/SDXC slot, up to 256GB
General	Operating Conditions	-30°C ~ 50°C (-22°F ~ 122°F) , Less than 90% RH
	Power Supply	12VDC / POE (IEEE 802.3af)
	Power Consumption & Current	3.5W (IR LED OFF), 8W Max (IR LED ON)
	Weatherproof Rating	IP66/IK10
	Housing Material / Color	Aluminum / White
	Overall Camera Dimensions	φ5.1" x 4.4" (φ130 x 112mm)
	Weight	1.5lb / 690g
Certifications	CE / FCC	