

## N2 Series IP Camera

### N2 Series 4MP IP, True WDR, Outdoor IR Dome Cameras

POE, 2.8mm or 4mm IR Lens, 100' IR, IP67/IK10, SD Card Slot

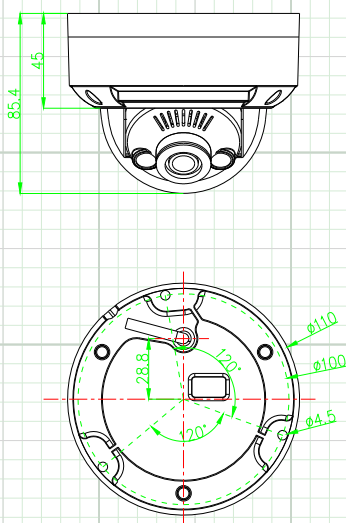


N2IP4DSD / N2IP4D4MMSD

#### FEATURES:

- ◆ H.265 & H.264 Compression
- ◆ True Wide Dynamic Range - 120dB
- ◆ Up to 2592 x 1520 Resolution
- ◆ Fixed Focal 2.8mm or 4mm IR Lens
- ◆ 2 High Power IR LED's - 100' IR Range
- ◆ SD Card Slot - Supports 256Gb
- ◆ Mechanical IR Cut Filter
- ◆ Triple Stream Capability
- ◆ Audio Line In/Out & Alarm
- ◆ 3D Digital Noise Reduction
- ◆ POE - Power over Ethernet
- ◆ Free CMS Software
- ◆ ONVIF Profile S/G/T Compliant
- ◆ IK10 Impact Resistance
- ◆ IP67 Weatherproof

#### CAMERA OVERVIEW:



Note: Specification subject to change without notice

#### INCLUDED ACCESSORIES:

- Quick Guide, Mounting Template,
- Hardware Packet, Adjustment Wrench,
- Waterproof Connector

	FEATURES	N2IP4DSD	N2IP4D4MMSD
Camera	Image Sensor	1/2.8" Progressive Scan CMOS	
	Minimum Illumination	Color: 0.01Lux @(F1.2,AGC ON) , B/W: 0Lux @(IR LED ON)	
	S/N Ratio	55dB	
	IR LED Count / Range / Nanometer	2 High Power IR LED's / 100' Range / 850nm	
	Shutter Time	1/5s - 1/20,000s	
	Lens (IR Corrective)	Fixed 2.8mm - Angle of View 100°	Fixed 4mm - Angle of View 85°
	Camera Bracket Adjustment	Pan: 0°~350°, Tilt: 0°~75°, Rotation: ±90°	
	Day & Night	Yes - True Day/Night with IR Filter - Auto Switch	
	DNR (Digital Noise Reduction)	2DNR & 3DNR, Auto / Manual (0-100 Adjustable)	
	True Wide Dynamic Range (120dB)	On / Off (0-100 Adjustable)	
	BLC (Backlight Compensation)	On / Off (0-100 Adjustable)	
	Smart Analytic Features	Perimeter, Single Virtual Fence, Double Virtual Fence	
	Region of Interest	Yes	
	Audio Compression	G.711, RAW_PCM	
Video Compression	H.265, H.264, MJPEG (for all stream types)		
Resolution/Bitrate	Max. Resolution	2592 x 1520 (4MP)	
	Mainstream Resolution	2592x1520, 2560x1440, 2304x1296, 1920x1080, 1280x720 @25/30FPS	
	Substream Resolution	D1, VGA, 640x360, CIF, QVGA @25/30fps	
	Third Stream Resolution	VGA, CIF, QVGA @25/30FPS	
	Audio Bitrate	8kbps, 16kbps, 64kbps	
	Video Bitrate	Main: 500kbps ~ 12000kbps Sub: 100kbps ~ 6000kbps Third: 100kbps ~ 3000kbps	
Network	Protocols	IPv4/IPv6, 802.1x, HTTP, HTTPS, TCP/IP, UDP/IP, RTSP, DHCP, NTP, RTP/RTCP, PPPoE, SMTP, DNS, UPnP, FTP, ARP, SNMP	
	General Function	Supports Mirror, Aisle Mode, Smart IR, Password Protection, Privacy Mask, Motion Detection	
	Users	Up to 10 Users	
	Client Software	NorthernView CMS, NorthernView Mobile App, NorthernView Tools	
	Web Browser	IE11, Chrome, Firefox	
Interface	Communication Interface	1 Ethernet (10/100 Base-T) RJ-45 Connector	
	Audio	1Ch Input/Output (3.5mm)	
	Alarm	1Ch Input/Output (Screw Terminal Connector)	
	Reset Button	Yes	
	Onboard Storage	Yes Built in Micro SD/SDHC/SDXC slot, up to 256GB	
	General	Operating Conditions	-30°C ~ 50°C (-22°F ~ 122°F) , Less than 90% RH
Power Supply		12VDC / POE (IEEE 802.3af)	
Power Consumption & Current		3.5W (IR LED OFF), 8W Max (IR LED ON)	
Weatherproof/ Impact Ratings		IP67/IK10	
Housing Material / Color		Aluminum / White	
Overall Camera Dimensions		φ4.3" x 3.4" (φ110 x 85.4mmmm)	
Weight		0.86lb / 390g	
Certifications	CE / FCC		