

## N2 Series IP Camera

### N2 Series 4MP IP, True WDR, Outdoor IR Turret Camera POE, 2.8mm IR Lens, 100' IR, IP66, SD Card Slot

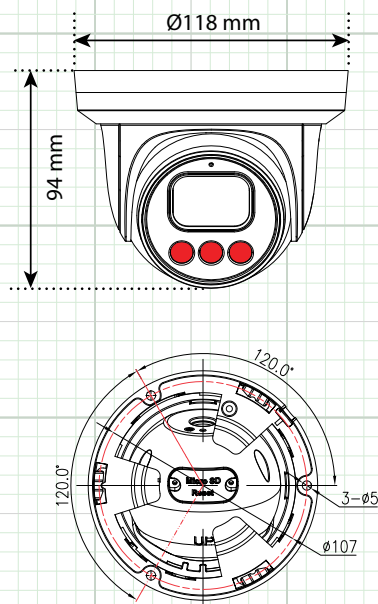


N2IP4TSD

#### FEATURES:

- ◆ H.265 & H.264 Compression
- ◆ True Wide Dynamic Range - 120dB
- ◆ Up to 2592 x 1520 Resolution
- ◆ Fixed Focal 2.8mm IR Lens
- ◆ 3 High Power IR LEDs - 100' IR Range
- ◆ SD Card Slot - Supports 256Gb
- ◆ Mechanical IR Cut Filter
- ◆ Triple Stream Capability
- ◆ Audio Line In/Out & Alarm
- ◆ 3D Digital Noise Reduction
- ◆ POE - Power over Ethernet
- ◆ Free CMS Software
- ◆ ONVIF Profile S/G/T Compliant
- ◆ IP66 Weatherproof

#### CAMERA OVERVIEW:



#### INCLUDED ACCESSORIES:

- Quick Guide, Mounting Template,
- Hardware Packet, Adjustment Wrench,
- Waterproof Connector

Note: Specification subject to change without notice

	FEATURES	N2IP4TSD
Camera	Image Sensor	1/2.8" Progressive Scan CMOS
	Minimum Illumination	Color: 0.01Lux @(F1.2,AGC ON) , B/W: 0Lux @(IR LED ON)
	S/N Ratio	55dB
	IR LED Count / Range / Nanometer	3 High Power IR LEDs / 100' Range / 850nm
	Shutter Time	1/5s - 1/20,000s
	Lens (IR Corrective)	Fixed 2.8mm - Angle of View 100° -
	Camera Bracket Adjustment	Pan: 0°~360°, Tilt: 0°~90°, Rotation: 0°~360°
	Day & Night	Yes - True Day/Night with IR Filter - Auto Switch
	DNR (Digital Noise Reduction)	2DNR & 3DNR, Auto / Manual (0-100 Adjustable)
	True Wide Dynamic Range (120dB)	On / Off (0-100 Adjustable)
	BLC (Backlight Compensation)	On / Off (0-100 Adjustable)
	Smart Analytic Features	Perimeter, Single Virtual Fence, Double Virtual Fence
	Region of Interest	Yes
Video Compression	H.265, H.264, MJPEG (for all stream types)	
Resolution/Bitrate	Max. Resolution	2592 x 1520 (4MP)
	Mainstream Resolution	2592x1520, 2560x1440, 2304x1296, 1920x1080, 1280x720 @25/30FPS
	Substream Resolution	D1, VGA, 640x360, CIF, QVGA @25/30fps
	Third Stream Resolution	VGA, CIF, QVGA @25/30FPS
	Video Bitrate	Main: 500kbps ~ 12000kbps Sub: 100kbps ~ 6000kbps Thrid: 100kbps ~ 3000kbps
Network	Protocols	IPv4/IPv6, 802.1x, HTTP, HTTPS, TCP/IP, UDP/IP, RTSP, DHCP, NTP, RTCP/RTP, PPPoE, SMTP, DNS, UPnP, FTP, ARP, SNMP
	General Function	Supports Mirror, Aisle Mode, Smart IR, Password Protection, Privacy Mask, Motion Detection
	Users	Up to 10 Users
	Client Software	NorthernView CMS, NorthernView Mobile App, NorthernView Tools
	Web Browser	IE11, Chrome, Firefox
Interface	Communication Interface	1 Ethernet (10/100 Base-T) RJ-45 Connector
	Audio	1Ch Input/Output (3.5mm)
	Alarm	1Ch Input/Output (Screw Terminal Connector)
	Reset Button	Yes
	Onboard Storage	Yes Built in Micro SD/SDHC/SDXC slot, up to 256GB
General	Operating Conditions	-30°C ~ 50°C (-22°F ~ 122°F) , Less than 90% RH
	Power Supply	12VDC / POE (IEEE 802.3af)
	Power Consumption & Current	3.5W (IR LED OFF), 8W Max (IR LED ON)
	Weatherproof Rating	IP66
	Housing Material / Color	Aluminum / White
	Overall Camera Dimensions	φ4.6" x 3.7" (φ118x94mm)
	Weight	1.3lb / 610g
Certifications	CE / FCC	