

## N2 Series IP Camera

### N2 Series 4MP IP, True WDR, Outdoor IR Wedge Camera POE, 2.8mm IR Lens, 45' IR, IP66, SD Card Slot

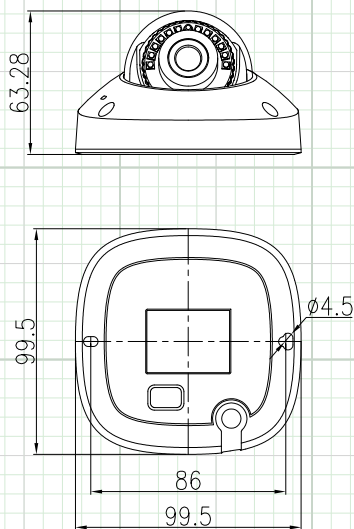


N2IP4WSD

#### FEATURES:

- ◆ H.265 & H.264 Compression
- ◆ True Wide Dynamic Range - 120dB
- ◆ Up to 2592 x 1520 Resolution
- ◆ Fixed Focal 2.8mm IR Lens
- ◆ 12 IR LED's - 45' IR Range
- ◆ SD Card Slot - Supports 128Gb
- ◆ Mechanical IR Cut Filter
- ◆ Triple Stream Capability
- ◆ Built-in Microphone & Alarm
- ◆ 3D Digital Noise Reduction
- ◆ POE - Power over Ethernet
- ◆ Free CMS Software
- ◆ ONVIF Profile S/G/T Compliant
- ◆ IP66 Weatherproof

#### CAMERA OVERVIEW:



Note: Specification subject to change without notice

#### INCLUDED ACCESSORIES:

- Quick Guide, Mounting Template,
- Hardware Packet, Adjustment Wrench,
- Waterproof Connector

	FEATURES	N2IP4WSD	
Camera	Image Sensor	1/2.8" Progressive Scan CMOS	
	Minimum Illumination	Color: 0.01Lux @(F1.2,AGC ON) , B/W: 0Lux @(IR LED ON)	
	S/N Ratio	55dB	
	IR LED Count / Range / Nanometer	12 IR LED's / 45' Range / 850nm	
	Shutter Time	1/5s - 1/20,000s	
	Lens (IR Corrective)	Fixed 2.8mm - Angle of View 100° -	
	Camera Bracket Adjustment	Pan: ±45°, Tilt: 0°~90°, Rotation: 0°~360°	
	Day & Night	Yes - True Day/Night with IR Filter - Auto Switch	
	DNR (Digital Noise Reduction)	2DNR & 3DNR, Auto / Manual (0-100 Adjustable)	
	True Wide Dynamic Range (120dB)	On / Off (0-100 Adjustable)	
	BLC (Backlight Compensation)	On / Off (0-100 Adjustable)	
	Smart Analytic Features	Perimeter, Single Virtual Fence, Double Virtual Fence	
	Region of Interest	Yes	
Audio Compression	G.711, RAW_PCM		
Video Compression	H.265, H.264, MJPEG (for all stream types)		
Resolution/Bitrate	Max. Resolution	2592 x 1520 (4MP)	
	Mainstream Resolution	2592x1520, 2560x1440, 2304x1296, 1920x1080, 1280x720 @25/30FPS	
	Substream Resolution	D1, VGA, 640x360, CIF, QVGA @25/30fps	
	Third Stream Resolution	VGA, CIF, QVGA @25/30FPS	
	Audio Bitrate	8kbps, 16kbps, 64kbps	
	Video Bitrate	Main: 500kbps ~ 12000kbps Sub: 100kbps ~ 6000kbps Third: 100kbps ~ 3000kbps	
Network	Protocols	IPv4/IPv6, 802.1x, HTTP, HTTPS, TCP/IP, UDP/IP, RTSP, DHCP, NTP, RTPC/ RTP, PPPoE, SMTP, DNS, UPnP, FTP, ARP, SNMP	
	General Function	Supports Mirror, Aisle Mode, Smart IR, Password Protection, Privacy Mask, Motion Detection	
	Users	Up to 10 Users	
	Client Software	NorthernView CMS, NorthernView Mobile App, NorthernView Tools	
	Web Browser	IE11, Chrome, Firefox	
Interface	Communication Interface	1 Ethernet (10/100 Base-T) RJ-45 Connector	
	Audio	1Ch Input/Output (RCA), Built in Mic.	
	Alarm	1Ch Input/Output (Bare Lead)	
	Reset Button	Yes	
	On Board Storage	Yes Built in Micro SD/SDHC/SDXC slot, up to 128Gb	
	General	Operating Conditions	-30°C ~ 50°C (-22°F ~ 122°F) , Less than 90% RH
		Power Supply	12VDC / POE (IEEE 802.3af)
Power Consumption & Current		3.5W (IR LED OFF), 6W Max (IR LED ON)	
Weatherproof Rating		IP66	
Housing Material / Color		Metal Body with Plastic Cover / White	
Overall Camera Dimensions		3.9" x 3.9" x 2.4" (99.5 x 99.5 x 63mm)	
Weight		0.8lb / 370g	
Certifications		CE / FCC	