

### N2 Series 2MP IP, True WDR Outdoor 30X PTZ Camera with POE, 600' IR, IP66



#### FEATURES:

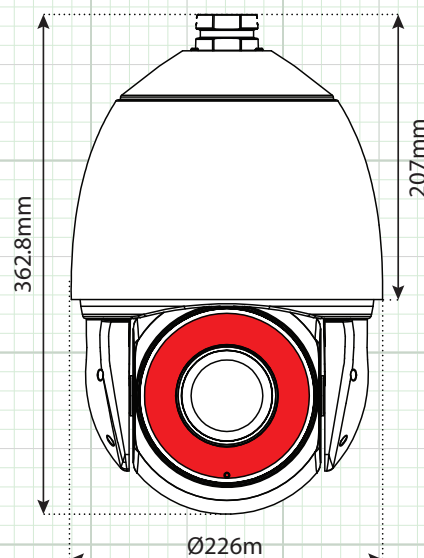
- ◆ Full HD 1080p Real Time Video
- ◆ True 120dB Wide Dynamic Range
- ◆ Intelligent Auto Tracking
- ◆ 30X Optical Zoom (4.5 ~135mm)
- ◆ POE Power Over Ethernet
- ◆ Included HI-POE Injector
- ◆ Included Wall Mount
- ◆ Free CMS Software
- ◆ True D/N Mechanical IR Cut Filter
- ◆ 10 High Power IR LED's, 600' IR Range
- ◆ 360° Endless Panning
- ◆ 400 Preset Postions
- ◆ 6 Tracks, 12 Tours, 12 Scans
- ◆ Audio Line In/Out
- ◆ 7 Alarm Inputs / 2 Outputs
- ◆ Built in Heater & Fan
- ◆ -40° Operating Temperature
- ◆ IP66 Weatherproof



N2IPPTZ30X

#### INCLUDED ACCESSORIES:

- Quick Setup Guide
- Wall Mount
- Hi POE Injector
- Slotted Screw Driver
- Gloves
- Stainless Hex Screw M5\*9mm
- Stainless Hex Screw M6\*14mm x3
- Terminal Block x2
- Bracket Connector x3



## N2 Series IP Camera

### N2 Series 2MP IP, True WDR Outdoor 30X PTZ Camera with POE, 600' IR, IP66



	SPECIFICATION	N2IPPTZ30X
Camera	Image Sensor	1/2.8" Progressive Scan CMOS
	Image Resolution	2 Megapixel, 1920 x 1080 Max
	Min. Illumination	Color: 0.01Lux @(F1.2, AGC ON), B/W: 0.0 Lux (IR LED ON)
	White Balance	Auto / Tungsten / Daylight / Manual (Red & Blue Gain Adjustable)
	AGC	Auto / Manual (0 - 100 Adjustable)
	S/N Ratio	55dB
	2DNR & 3DNR	Auto / Manual (0 - 100 Adjustable)
	BLC & HLC	Yes (0 - 100 Adjustable)
	True WDR	Yes 120dB (0 - 100 Adjustable)
	Defog	Yes (0 - 100 Adjustable)
	Shutter Speed	Auto / Manual, 1/5 - 1/20,000s
	True Day & Night	Yes - Mechanical IR Cut Filter
	Optical / Digital Zoom	30X Optical Zoom - 16x Digital Zoom
	Privacy Mask	Yes - On / Off, 4 Area, Size & Color Adjustable
Focus Mode	Auto, Manual, Semi-Auto, Sensitivity Adjustable (0 - 100)	
Auto Tracking	Yes	
Lens	Focal Length	4.5 ~ 135mm, F1.6 ~ F4.4
	Zoom Speed	Approx. 4 sec. (Optical, Wide-Tele)
	Angle of View	Horizontal: 59.8° ~ 2.3°
	Min. Working Distance	1.5 Meters
Pan & Tilt	Pan / Tilt Range	Pan: 0° ~ 360° endless, Tilt: -10° ~ +90°
	Pan / Tilt Speed	Manual: Pan: 0.1° ~180° /s, Tilt: 0.1° ~90° /s, Preset: Pan: 180° /s, Tilt: 90° /s
	Proportional Zoom	Rotation Speed Adjusted Automatically According to Zoom
	Number of Presets	400
	Idle Action	Activates: Preset / Scan / Tour / Track if no command in the specified period
	Track / Tour / Scan	6 -Tracks (Custom Pattern) / 12 Tours (Preset Pos.) / 12 Scans (Custom Pattern)
	Power-off Memory	On/Off - Preset, Scan, Track, Tour Selectable
	Position Display	Yes
IR	Scheduled Tasks	Up to 8/Day Preset, Scan, Track, Tour
	IR Distance	600'
Input / Output	IR Intensity	Automatically Adjusted, Depending on the Zoom Ratio
	Alarm Input / Output	7 Ch Input / 2 Ch Output
	Alarm Trigger	Perimeter, Single & Double Virtual Fence, Loiter & Multi-Loiter, Object Left & Removal, Abnormal Speed, Illegal Parking
	Alarm Actions	Preset, Track, Tour, Scan, Recording, Relay Output, Email Linkage
Network	Audio Input / Output	1x RCA Female / 1x RCA Female
	Ethernet	1 Ethernet (10/100 Base-T) RJ-45 Connector
	Frame Rate	Stream 1: 1920x1080/1280x720 @25/30fps
		Stream 2: D1/VGA/640x360/CIF/QVGA @25/30fps
		Stream 3: VGA/CIF/QVGA @25/30fps
	Compression	H.265, H.264, MJPEG
	ROI	Yes
	Audio Compression	G.711, RAW_PCM
	Protocols	IPv4/IPv6, 802.1x, HTTP, HTTPS, TCP/IP, UDP/IP, RTSP, DHCP, NTP, RTCP/ RTP, PPPoE, SMTP, DNS, UPnP, FTP, ARP, SNMP, Onvif
	Simultaneous View	10 Max
SD Card	Yes - Micro SD card slot - 128GB Max (Card not included)	
General	Users	10 Max
	Security	User Authentication (ID & Password), IP Filter (Black/White List), HTTPS
	Web Browser	<IE11, Chrome, Firefox
	Power Input	AC24V/Hi-POE
	Power Consumption	1.8 Amp / Less than 40W
	Operating Temp	-40°C ~ 60°C (-40°F ~ 140 °F)
	Protection Level	IP66, TVS4000V
	Dimensions	226x362.8mm (2.9" x 14.28")
Certifications	CE / FCC	
Weight (approx.)	5.2Kg (11.4lb)	