

Junction Box for N2IP4W

FOR USE WITH CAMERA MODEL:

N2IP4W



N2JB4



Shown with N2IP4W
(Camera not included)

FEATURES:

- Manages & Protects Cables
- 3/4" Conduit Access
- For Indoor & Outdoor Use

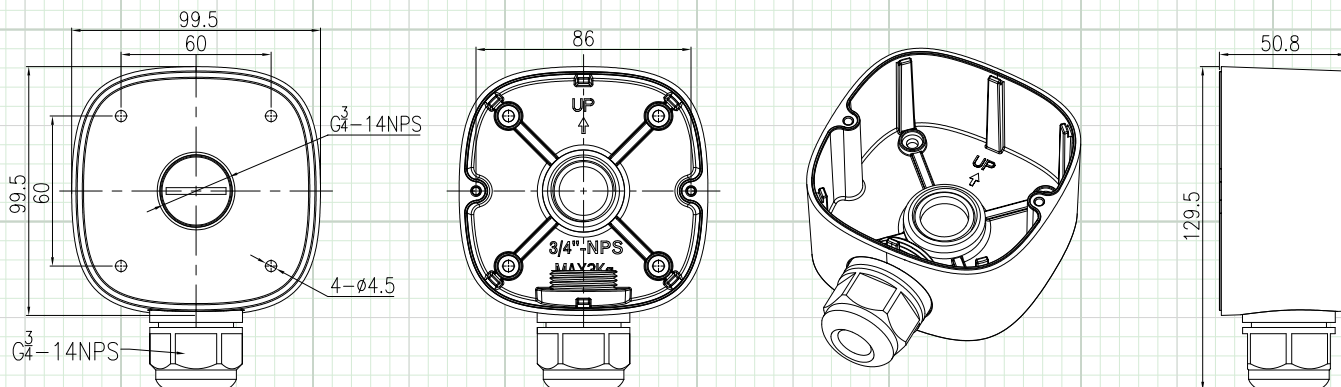
SPECIFICATIONS:

	N2JB4
Material	Aluminum Alloy
Color	White
Load Bearing	3 kg (6.61 Lb.)
Product Dimensions	99.5 × 99.5 x 50.8mm (3.92 x 3.92 × 2")
Product Weight	0.24kg (0.53 Lb.)

PACKAGE INCLUDES:

Item	Qty
Junction box	1
3/4" Conduit Caps	1
Plastic Conduit Cable Connector	1
Gasket	1
Black Rubber Plug	1
Mounting Template	1
Phillips Pan Head Screws PWM 4×8mm	2
Mounting Hardware Packet	1

DIMENSIONS:



Note: Specification subject to change without notice