

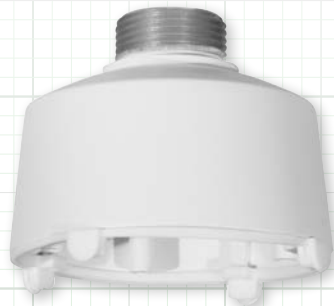
## Pendent Cap for Select Cameras\*

\*Requires N2CMP1 Pendent Mount

**FOR USE WITH CAMERA MODELS:**

N2IPKITCAM, HDEIR60

N2PC1



### FEATURES:

- Pendent Mount for Dome Camera
- Aluminum Alloy
- For Indoor & Outdoor Use

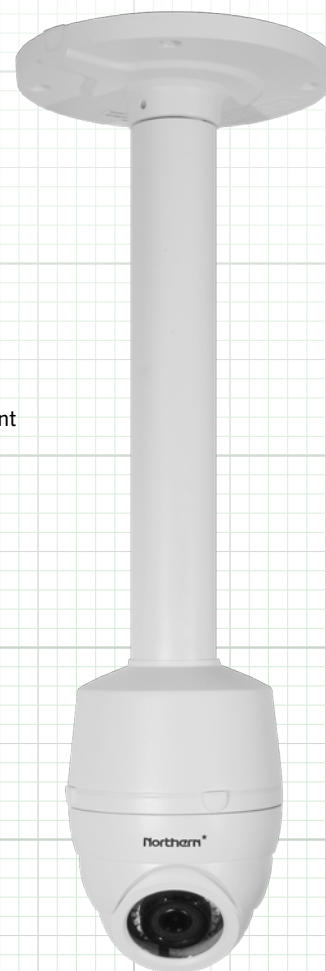
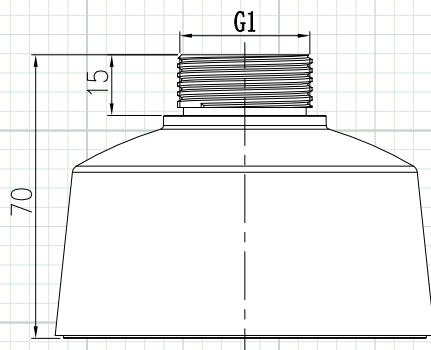
### SPECIFICATIONS:

|                    | N2PC1                        |
|--------------------|------------------------------|
| Material           | Aluminum Alloy               |
| Color              | White                        |
| Load Bearing       | 3 kg (6.61 Lb.)              |
| Product Dimensions | φ93.7 x 70mm (φ3.69 × 2.76") |
| Product Weight     | 0.14kg (0.31 Lb.)            |

### PACKAGE INCLUDES:

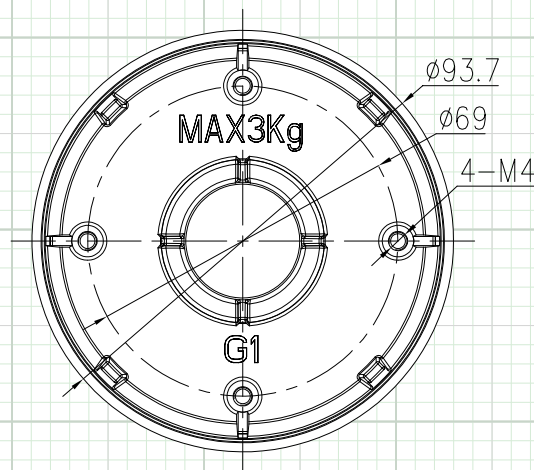
| Item             | Qty |
|------------------|-----|
| Pendent Cap      | 1   |
| Gasket           | 1   |
| Torx Wrench      | 1   |
| Torx Head Screws | 4   |

### DIMENSIONS:



N2PC1 shown right with N2IPKITCAM mounted on N2CMP1 Pendent Mount

(Camera and Pendent Mount not included)



Note: Specification subject to change without notice