

Pendent Cap for Select Cameras*

*Requires N2CMP1 Pendent Mount

FOR USE WITH CAMERA MODELS:

N2IP4D, N2IP4D4MM

N2PC2



FEATURES:

- Pendent Mount for Dome Camera
- Aluminum Alloy
- For Indoor & Outdoor Use

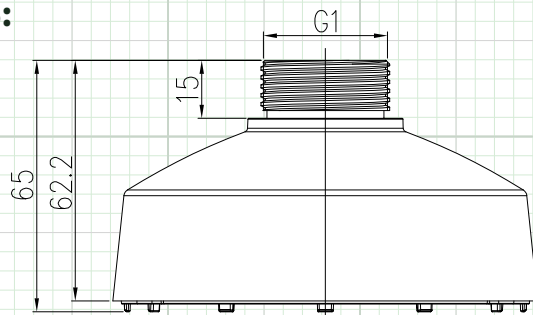
SPECIFICATIONS:

	N2PC2
Material	Aluminum Alloy
Color	White
Load Bearing	3 kg (6.61 Lb.)
Product Dimensions	φ109.8 x 65mm (φ4.32 × 2.56")
Product Weight	0.13kg (0.29 Lb.)

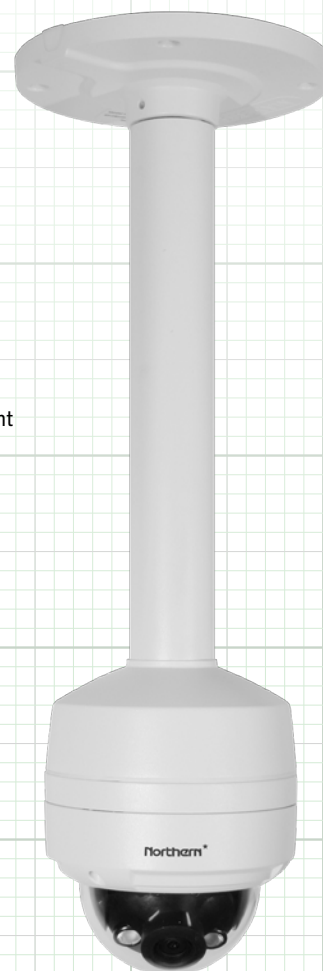
PACKAGE INCLUDES:

Item	Qty
Pendent Cap	1
Gasket	1
Philips Round PM4x10mm	3

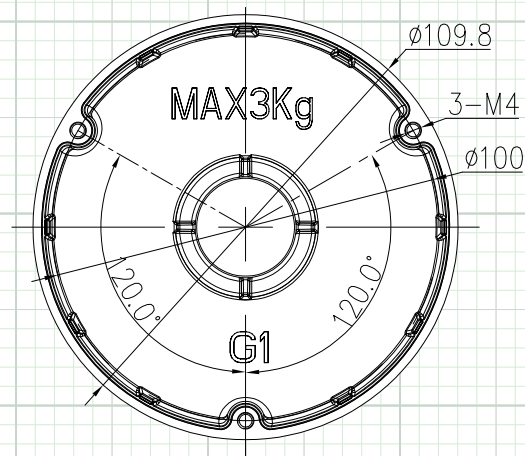
DIMENSIONS:



N2PC2 shown right with N2IP4D mounted on N2CMP1 Pendent Mount



(Camera and Pendent Mount not included)



Note: Specification subject to change without notice