

Pendent Cap for N2IP4W*

*Requires N2CMP1 Pendent Mount

FOR USE WITH CAMERA MODEL:

N2IP4W

N2PC4



FEATURES:

- Pendent Mount for Dome Camera
- Aluminum Alloy
- For Indoor & Outdoor Use

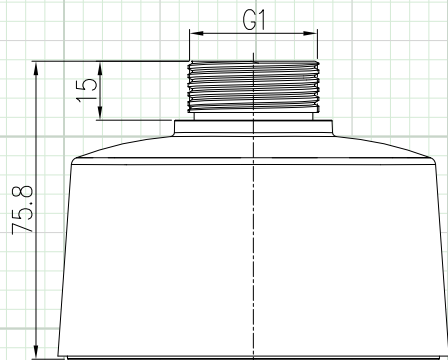
SPECIFICATIONS:

	N2PC4
Material	Aluminum Alloy
Color	White
Load Bearing	3 kg (6.61 Lb.)
Product Dimensions	99.5 x 99.5mm x 75.8mm (3.92" x 3.92" x 2.98")
Product Weight	0.19kg (0.42 Lb.)

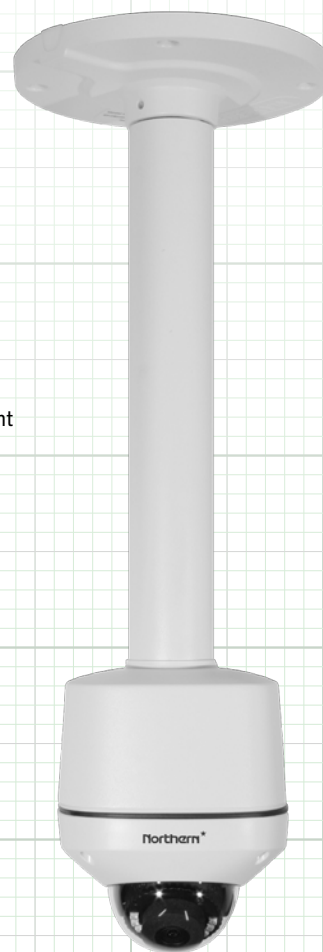
PACKAGE INCLUDES:

Item	Qty
Pendent Cap	1
Gasket	1
Small Round Gasket	1
Phillips Pan Head Screws PWM4x8mm	2

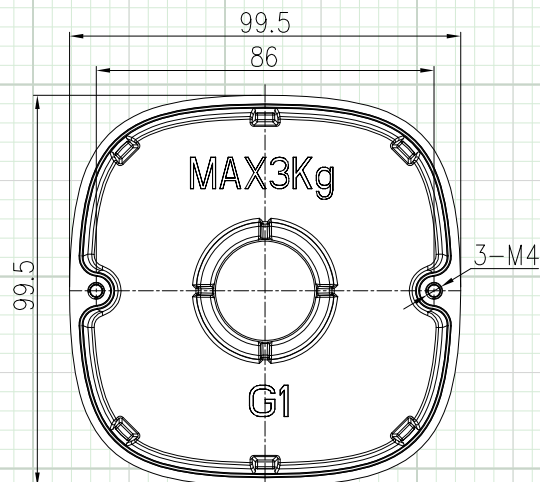
DIMENSIONS:



N2PC4 shown right with N2IP4W mounted on N2CMP1 Pendent Mount



(Camera and Pendent Mount not included)



Note: Specification subject to change without notice