

## Pendent Cap for Select Cameras\*

\*Requires N2CMP1 Pendent Mount

### FOR USE WITH CAMERA MODELS:

N2IP4AFD, HDAFDIR90WD, HDAFDIR90INWD

N2PC5



### FEATURES:

- Pendent Mount for Dome Camera
- Aluminum Alloy
- For Indoor & Outdoor Use

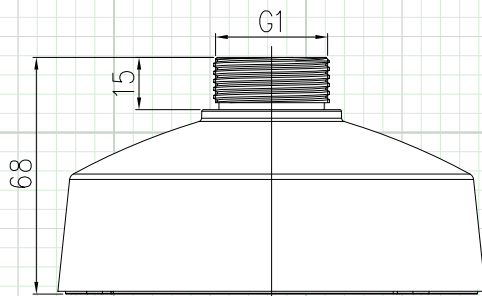
### SPECIFICATIONS:

	N2PC5
Material	Aluminum Alloy
Color	White
Load Bearing	3 kg (6.61 Lb.)
Product Dimensions	φ122.8 x 68mm (φ4.83 × 2.68")
Product Weight	0.17kg (0.37 Lb.)

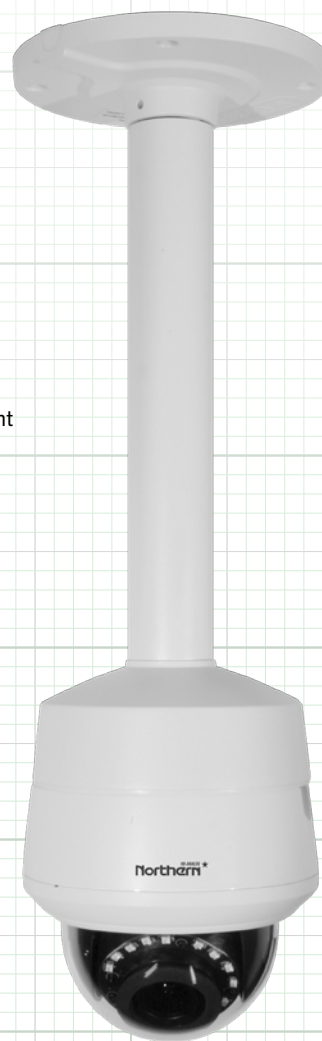
### PACKAGE INCLUDES:

Item	Qty
Pendent Cap	1
Gasket (w/o Notch for N2IP4AFD)	1
Gasket (w/Notch for HDAFDIR90WD/INWD)	1
Philips Round PM4x10mm	3

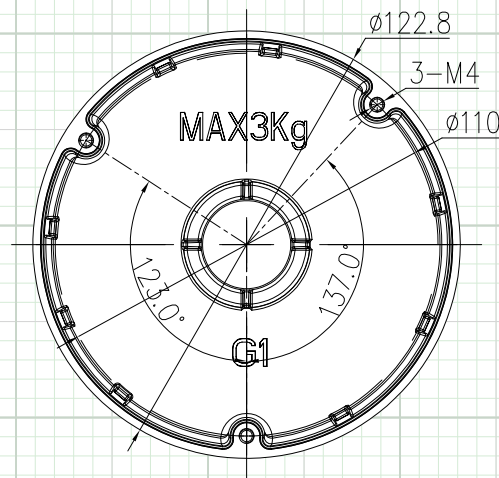
### DIMENSIONS:



N2PC5 shown right with HDAFDIR90INWD mounted on N2CMP1 Pendent Mount



(Camera and Pendent Mount not included)



Note: Specification subject to change without notice