

# HD-TVI Full HD 1080p Outdoor 60' IR Eyeball

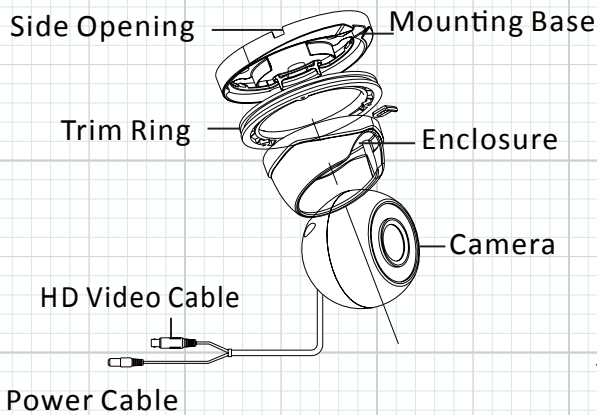
OSD, True D/N, D-WDR, IP66, UL/CUL, 2.8mm Lens



**FEATURES:**

- ◆ 2MP CMOS Sensor
- ◆ Full HD 1080P Resolution
- ◆ Digital Wide Dynamic Range
- ◆ True Day/Night Mechanical IR Cut Filter
- ◆ 2.8mm Fixed Focal IR Lens
- ◆ UTC Controllable OSD
- ◆ Digital Noise Reduction
- ◆ 12 Volt DC Power
- ◆ 24 LED's / 60' IR Range
- ◆ 3-Axis Wall or Ceiling Mountable
- ◆ IP66 Weatherproof
- ◆ UL/CUL Certified

**CAMERA OVERVIEW:**



SPECIFICATION	TVIEIR60
Image Sensor	2MP CMOS Sensor
Active Pixels	1944(H)*1092(V)
Resolution	1920 x 1080 (1080p) / 1280 x 720 (720p)
OSD (On Screen Display)	UTC Controlled (coaxial control)
Digital WDR (Wide Dynamic Range)	Yes On/Off
Digital Noise Reduction	Yes (1 ~ 10 Adjustable)
Video Output	HD-TVI BNC Video Connector
Lens Type - True Day Night	IR Type, 2.8mm (105° FOV)
IR Cut Filter	Yes - Built in Mechanical
Minimum Illumination	0.01 Lux @ (F1.2,AGC ON), 0 Lux with IR
IR LED Count / Range	24 LED's / 60' IR Range / 850nm
S/N Ratio	>62dB
Automatic Gain Control	Off/Low/Middle/High
Sync System	Internal Synchronization
White Balance	ATW, MWB (RGAIN/BGAIN Adjustable)
Back Light Compensation	Yes (1 ~ 8 Adjustable)
Day/Night	Color, B/W, Smart (auto)
Mirror	Off/H/V/HV
Brightness	Yes (1 ~ 10) Adjustable
Power Input	12 VDC ± 15%
Power Requirement	Max 4W
Overall Camera Dimensions	89.6 × 59.1 mm (3.53" × 2.33")
Weight	Approx 0.75lb / 340g
Operating Temperature	-30 °C ~ 60 °C (-22 °F ~ 140 °F)
Weatherproof Rating	IP 66
Certifications	UL / CUL Certified

Note: Specification subject to change without notice

**INCLUDED ACCESSORIES:**

1. User Manual
1. Mounting Hardware Packet
1. Mounting Template
1. L Style Wrench