

OSD, True D/N - DWDR, IP66 - 9-22mm Lens

PRODUCT FEATURES

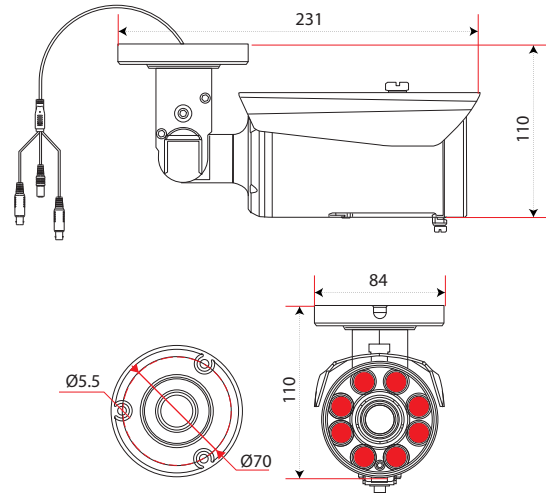
- 1-2/9" Sony CMOS Sensor
- Full HD 1080p Resolution
- 9-22mm Auto Iris IR Lens
- Digital Wide Dynamic Range
- True Day/Night Mechanical IR Cut Filter
- 8 High Power LED's
- 50' Plate Capture Range
- 44 MPH Plate Capture Speed
- Easy Access Hatch for Lens Adjustments
- UTC Controllable OSD
- TVI & 960 Video Outputs
- Sense-up / Slow Shutter Speed
- 12VDC/24VAC Dual Voltage Power
- 3D Digital Noise Reduction
- 3-Axis Cable Management Mount
- IP66 Weatherproof

SPECIFICATIONS

Model No.	TVILPCAM
Image Sensor	1-2/9" Sony CMOS Sensor
Total Pixels	1984 x 1225
Active Pixels	1920 x 1080
Resolution	1920 x 1080 (1080p)
Scanning System	Progressive Scan
OSD (On Screen Display)	UTC Controlled (coaxial control - TVI only)
Digital WDR (Wide Dynamic Range)	Auto / Off / On (0 ~8 Adjustable)
DNR (Digital Noise Reduction)	2D & 3D (Off / Low / Middle / High)
Video Output	Dual Pigtail HD-TVI Main Output (Black) / 960H Main Output (Yellow)
Lens Type - True Day Night	9 ~ 22mm Varifocal Auto Iris IR Lens
Sense-up	Off / x2 ~ x30
Shutter Speed	Auto, FLK, 1/30 ~ 1/50,000, x2 ~ x30
IR Cut Filter	Built in Mechanical
Minimum Illumination	0.0 Lux IR LED On
IR LED Count / Range	8 Super IR LED's / 50' Range / 850nm
Plate Capture Viewing Angle	14° ~ 32° Vertical / 8° ~ 35° Horizontal
Plate Capture Speed	44 MPH
Plate Capture Range	Up to 50'
S/N Ratio	More than 52dB
Automatic Gain Control	0 ~15 Adjustable
Sync System	Internal
Gamma Characteristics	y = 0.45 typ.
White Balance	ATW / AWC->Set / Indoor / Outdoor / Manual
Back Light Compensation	Off / BLC / HSBC
HBLC (High Back Light Compensation)	On / Off 4-Zone, Level & Mode Adjustable
Day/Night	EXT / Auto / Color / B/W
Mirror	Mirror / V-Flip / Rotate / Off
Languages	English, French, Spanish, German, Italian (see OSD Menu for more)
Brightness	0 ~ 100 Adjustable
Motion Detection	On/Off (4 Zone Selectable)
Privacy Mask	On/Off (4 Zone Selectable)
Power Input	12VDC/24VAC +/- 10% Dual Voltage Power
Power Requirement	400mA / 900mA IR LED ON
Overall Camera Dimensions	9.1" x 3.3" x 4.3" (231mm x 84mm x 110mm)
Housing / Color	Aluminum - White
Weight	1.6 Lb.
Operating Temperature	-22°F ~ 122°F
Weatherproof Rating	IP66

* All specifications subject to change without notice for quality improvement

CAMERA DIMENSIONS / LINE ART



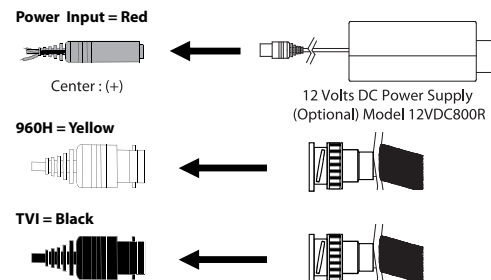
CAMERA COMPONENT DESCRIPTIONS



CAMERA CABLE CONNECTION

Insert power lead into power connector (Be sure proper voltage is supplied and observe polarity).

Insert video lead into BNC connector (push, then twist to lock BNC connector in place).



PACKAGE CONTENTS

- (1) Mounting Hardware Packet
- (1) L-Style Wrench
- (1) Mounting Template