

# VF2812IRMP3 1/2.7" - 3 Megapixel

2.8~12mm Varifocal IR Lens

## PRODUCT FEATURES

- 3MP Resolution
- 2.8 ~ 12mm Varifocal
- IR Corrective
- CS Mounting
- DC Driven Auto Iris
- Composite Body
- Full Glass Elements



VF2812IRMP3

## SPECIFICATIONS

SPECIFICATION	VF2812IRMP3		
Megapixel Resolution	3MP		
Focal Length	2.8 ~ 12mm		
Aperture	F1.4		
Auto Iris	Yes - DC Driven		
IR Corrective	Yes		
Mounting	CS		
Format	1/2.7"		
Lens Body	Composite		
Lense Structure	8 Groups/8 Elements		
Field of View	Diagonal	Horizontal	Vertical
	127° ~ 40°	112° ~ 35°	59° ~ 19°
Dimensions (w/Auto Iris)	43mm (H) x 40mm (W)		
Barrel Diamter	28mm		
Weight	0.1lb		

\* All specifications subject to change without notice for quality improvement

## INSTRUCTIONS FOR USE: DIRECT DRIVE VARIFOCAL LENS

Please read this instruction manual carefully before using your new lens.

### FOR CS-MOUNT CAMERA

This Lens is designed for use with cameras with CS type mounting. The Flange back of the CS mount is 12.5mm.

### DIRECT DRIVE IRIS

The iris blade on this lens is operated by DC voltage from the Camera, please use this lens with a camera that has a built-in auto iris amplifier (DC-IRIS) or a camera which can be switched from Video Driven to DC-IRIS.

### INSTALLING THE LENS

Turn the lens clockwise until fully seated when installing the lens. Make sure threads align properly to avoid cross threading the lens.

### CABLE CONNECTION

The Cable and Lens Connector are common for DC-Driven Auto-Iris Lenses. The lens connector should fit easily into the lens jack on the Camera if installed correctly. Excessive force should not be needed while connecting the cable to the camera. If this occurs check to make sure the cable is being installed correctly by lining up the notch in the cable connector with the notch in the camera jack.

### ADJUSTING THE LENS

This lens has both a Tele/Wide adjustment and Fine Focus adjustment. First adjust the Tele/Wide adjustment, then the Fine Focus adjustment to focus the lens properly

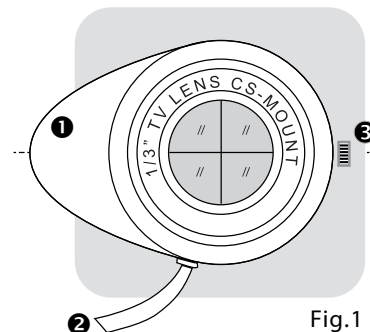


Fig.1

- ❶ Galvano meter
- ❷ Cable
- ❸ Focus lock pin

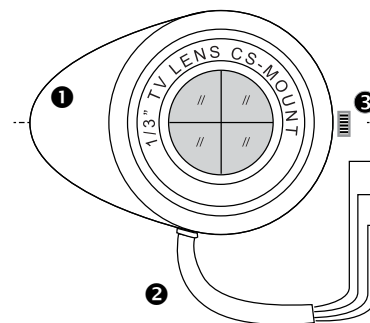


Fig.2

- Red CONTROL+
- Brown CONTROL-
- Yellow DRIVE+
- Orange DRIVE-