

Plastic Wall Mount for Dome Cameras



WMT110

FOR USE WITH THESE Northern[★] CAMERAS:



IP3D



IP4D



IP4D4MM

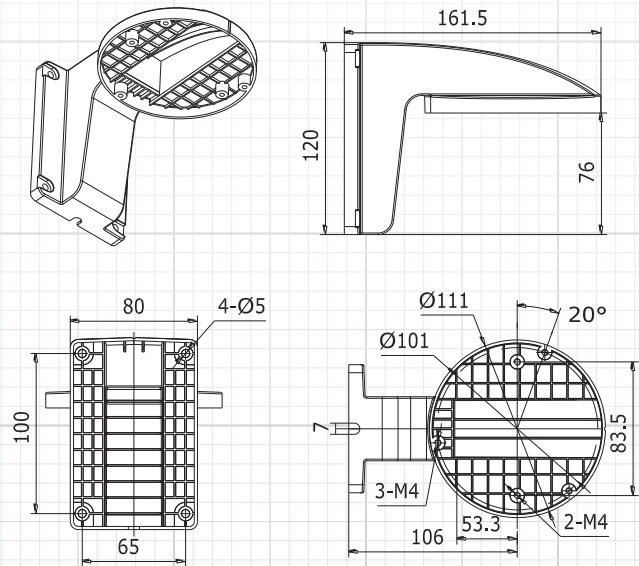
FEATURES:

- ◆ Good toughness and strength
- ◆ Coordination with small and nice appearance

NOTE:

- ◆ Pay attention to color matching.
- ◆ The bracket should be installed on flat wall.
- ◆ The wall must be capable of supporting more than 3 times the total load of the camera and the mount.
- ◆ The maximum load capacity of the mount is 2.0KG

MOUNT DIMENSIONS:



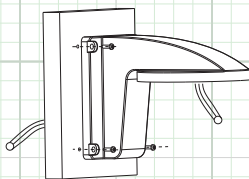
Unit: mm

SPECIFICATION	WMT110
Color	White
Application	Indoor Dome Camera Wall Mount
Construction	ABS+PC
Dimensions	111 mm × 120 mm × 161.5 mm
Weight	200g

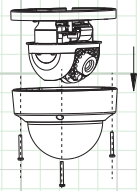
Note: Specification subject to change without notice

INSTALLATION:

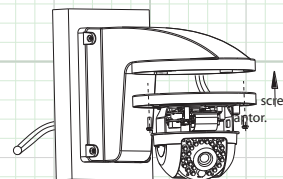
1. Select suitable wall to install the bracket.



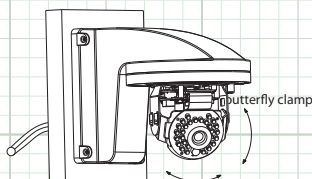
2. Loosen the tightening screw and take down the housing.



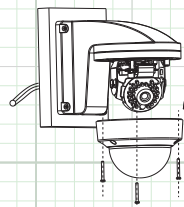
3. Install the dome core to the gang box, wire and lock the screw.



4. Adjust the angle through the 3-axis adjustment structure.



5. Install the housing and lock the screws.



6. Finish the installation.

