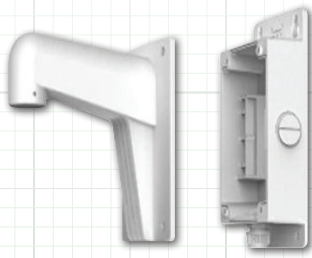
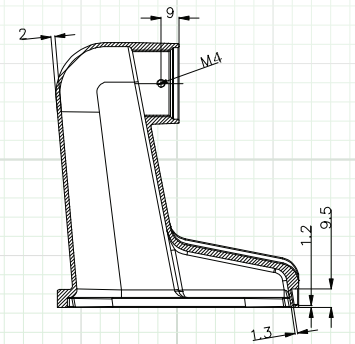
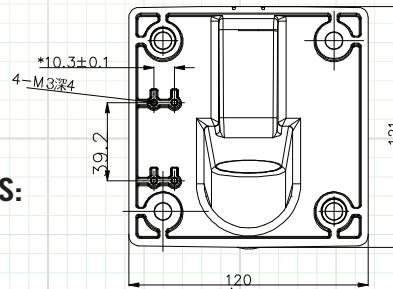


Wall Mount for Pendant Caps



WMTS

MOUNT DIMENSIONS:



FOR USE WITH THESE Northern[★] PENDANT CAPS:

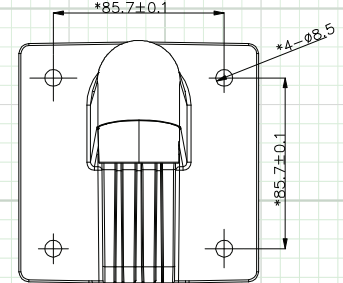
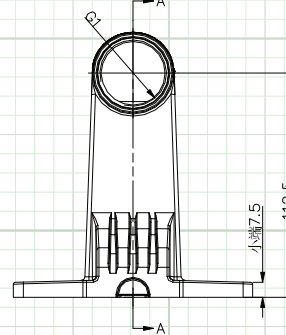


DPC110

DPC130T

DPC135

DPC140



FEATURES:

- ◆ Aluminum Alloy Material with Surface Spray Treatment
- ◆ Waterproof Design

NOTE:

- ◆ Install mount on flat wall.
- ◆ Waterproof rubber is necessary for outdoor application.
- ◆ The wall must be capable of supporting over three times as much as the total weight of the camera and the box.
- ◆ The maximum load capacity of the box is 50 kg.

SPECIFICATION	WMTS
Color	White
Application	Pendant Cap Wall Mount
Construction	Aluminum Alloy
Dimensions	120 mm x 121 mm x 200 mm (4.72" x 4.76" x 7.87")
Weight	1044g (2.3 lbs)

Note: Specification subject to change without notice